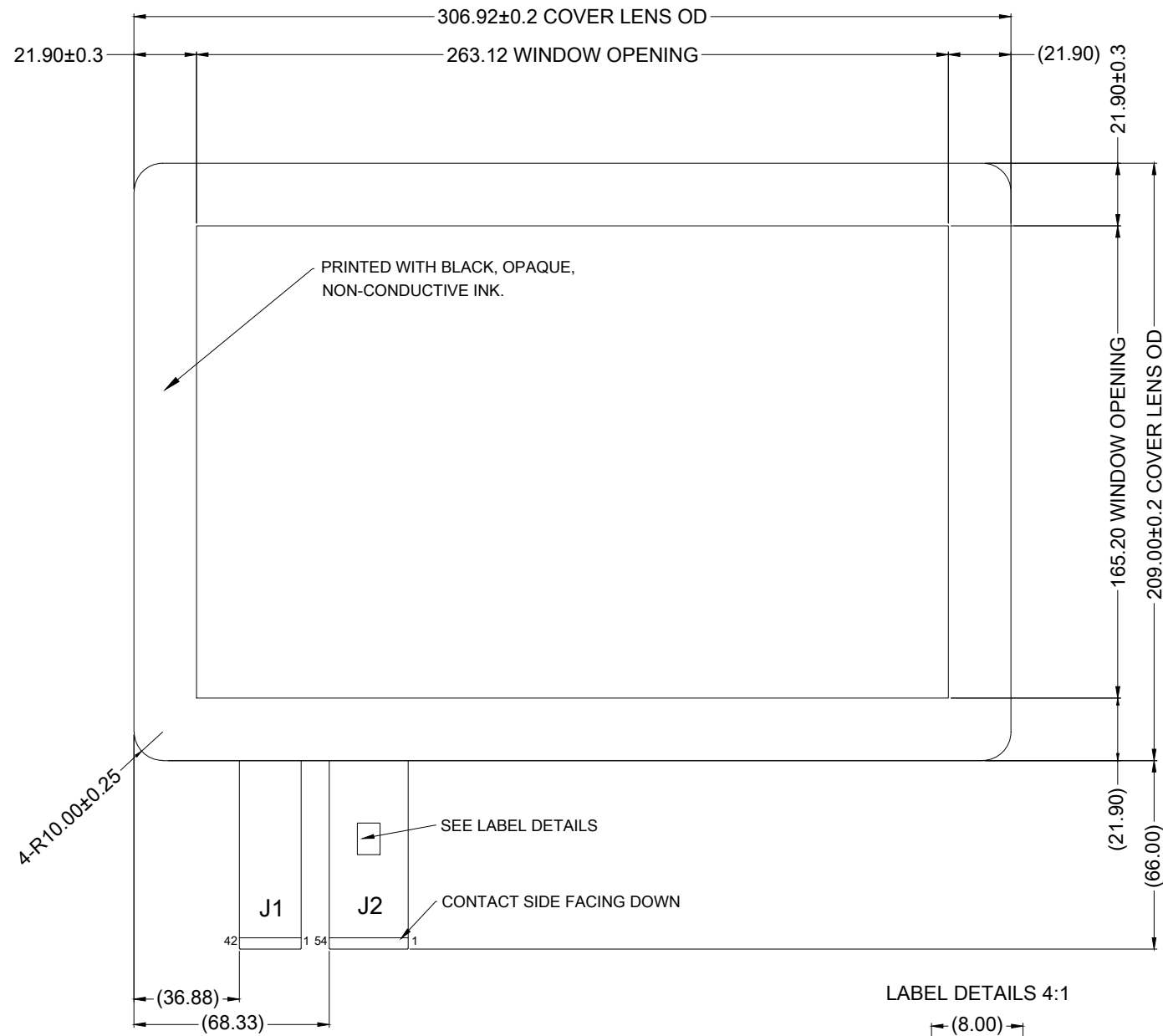
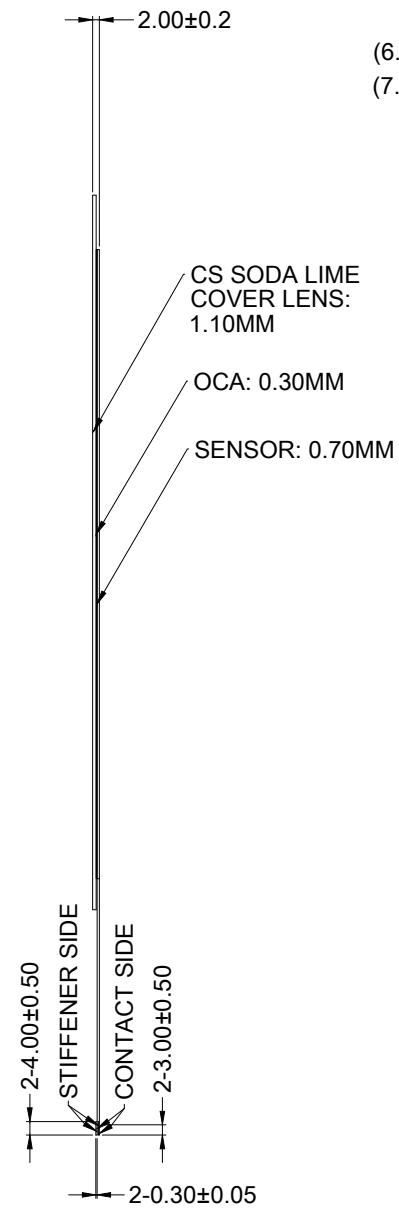


REVISIONS					DWN	DATE
ITEM REV	DWG REV	ECO	DESCRIPTION			
A	1	-	INITIAL RELEASE.		HYC	05-17-18
A	2	-	MODIFY THE BORDER OF COVER LENS AS SYMMETRICAL.		HYC	08-15-18
A	3	-	PREPARED FOR WEBSITE RELEASE.		CPO	01-23-19

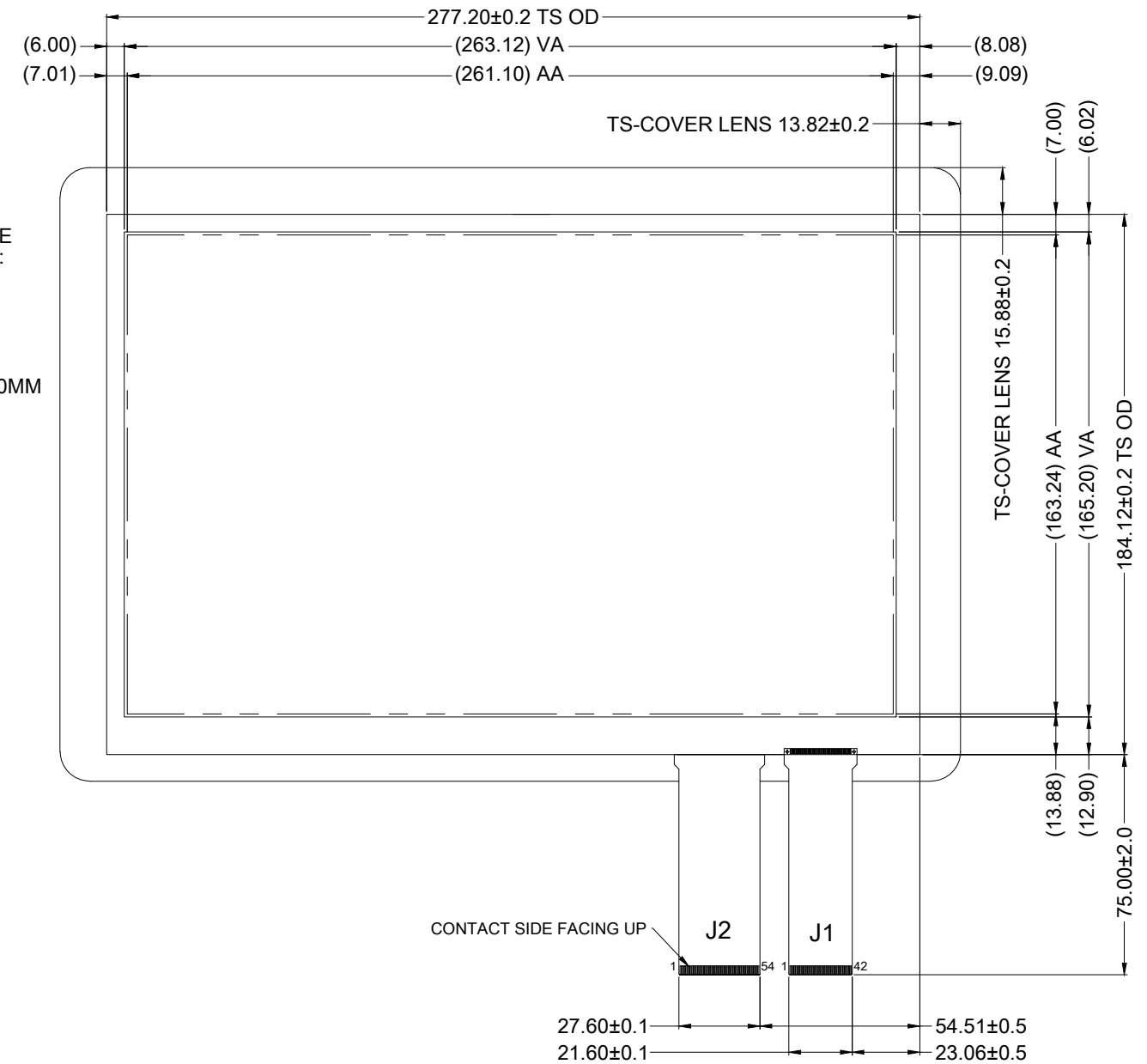
### FRONT VIEW



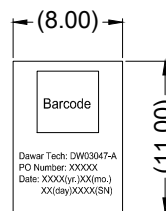
### SIDE VIEW



### REAR VIEW



LABEL DETAILS 4:1



#### NOTES:

1. TAIL TYPE: GOLD PLATED FPC
2. ALL MATERIALS ARE ROHS COMPLIANT.
3. SENSOR SPECIFICATIONS PER QAD 19-1 (CURRENT REVISION).
4. DIMENSIONS IN PARENTHESIS ARE FOR REFERENCE ONLY.
5. FOR USE WITH 42 x 54 MICROCHIP (ATMEL) CONTROLLER.
6. TOUCH SENSOR:  
0.70MM GLASS WITH DOUBLE-SIDED INDEX MATCHED ITO.
7. COVER LENS:  
- 1.10MM CHEMICALLY STRENGTHENED SODA LIME GLASS  
- DOUBLE ROUND PENCIL GROUND EDGE  
- PANTONE BLACK



1016 North Lincoln Avenue, Pittsburgh, PA 15233  
 1.800.366.1904 - 412.322.9900 - Fax: 412.322.9958  
 e-mail: sales@dawar.com - www.dawar.com

THIS CONFIDENTIAL DOCUMENT IS THE PROPERTY OF DAWAR TECHNOLOGIES, INC. AND SHALL NOT BE COPIED, REPRODUCED, DISCLOSED, AND/OR USED AS THE BASIS FOR MANUFACTURING OR SALE WITHOUT PERMISSION OF A DULY AUTHORIZED REPRESENTATIVE OF DAWAR TECHNOLOGIES, INC.

#### DESCRIPTION

12.1" GG2 PROJECTED CAPACITIVE TOUCH SENSOR

ITEM/DRAWING NO. DW03047-A				DWG REV 3
UNIT MM [INCH]	TOLERANCE ±0.25 [0.010] UNLESS SPECIFIED	SHEET 1 OF 1	DRAWN BY HYC	DATE 02-27-18