

PRODUCT DESCRIPTION



Overview

Touch display supporting capacitance multi touch and LED backlight, providing excellent picture quality with wide viewing angle and high resolution. Integrated PCT capacitance multi touch, it can achieve a flat surface appearance similar to iPad and excellent multi touch experience. In principle, it can realize touch performance that is not afraid of light, dust and water. It has a fashionable black aluminum oxide. It is the best partner in retail, catering, gaming, video game and medical industry. With flexible desktop base, the product can be safely fixed in the required place at any angle.



Features

Easy to Use

Support a variety of input video signals, standard touch signal input, plug & play and power & signal on boot

High Quality LED Panel

Full range IPS E-LED backlight monitors, HD resolution (1366 x 768)

Reliable and Professional Design

Designed with elegant full metal structure & aluminum bezel for outstanding image clarity

Easy Installation

Supports optional standard VESA wall mount brackets and embedded install

Flat Surface Design

Similar to iPad flat surface delivers durable dust & water resistance, improving product reliability and lifetime

Projected Capacitive Multi-touch

10 points accurate touch response

Multi touch Support

Support Windows multi touch protocol, multi screen calibration function

Supported OS

Windows 7 /10, Android , Linux, Mac OSX

DW03764-C

P-CAP Multi-Touch Screen and none
Edge-LED LCD Monitor

PRODUCT DESCRIPTION

Specifications

■ Display

LED Panel	AHVA Panel ,18.5inch
Backlight	E-LED (edge-lit)
Viewable Area	410.96 x 232.04mm
Brightness	350cd/m ²
Contrast Ratio	1000:1
Viewing Angle	178° H/V
Response Time	20 ms (GTG)
Number of Colors	16.7M Colors
Native Resolution	1920X1080(16:9),FHD
Video Frequency	60Hz
Video Interface	VGA x1 / HDMI x1
Input Resolution	1366 x 768 @ 60Hz

■ Touch

Touch Points	10 (HID, only with supported OS)
Touch Technology	Projective Capacitive(PCAP)
Touch Method	Finger, glove(latex)
	Active & passive stylus pen
Glass Overlay	4mm tempered glass
	Optional AG / AR surface finish support touch in water fog and light rain.
Water Resistance	Little drops of water will not cause drift
Response Time	16ms
Report Rate	>100Hz
Touch Interface	USB (Type B) x1
Supported OS	Win 7 / 10 / Android / Linux / Mac

■ OSD Function

OSD Controls	5 buttons
OSD Languages	CN, EN, FR, IT, DE ES, KR, RU, PT

■ Mechanical

Product Dimension	456.6x 277.2x 47 mm
Packing Dimension	565x 398x 155 mm (1 PCS) 603.5x 420.6x 322 mm (4 PCS)
Weight(approx.)	4.8 kg / 6.2 kg
Wall Mount Method	VESA, MIS-D, 100x100mm, Y, 4, 90

■ Power

Power Supply	DC in: DC 12V, connector: 5.5*2.5
Typical Power	≤ 15W (typ.)
Standby Power	≤ 0.5 W (typ.)

■ Environmental

Operating T & H	0 °C ~ 50 °C, 90% RH
Storage T & H	-20 °C ~ 60 °C, 90% RH

■ Accessories

Active Stylus Pen	Included
Adapter	AC-DC, AC 100~240V50/60hz DC 12V 3A, 5.5*2.5*10mm

■ Other

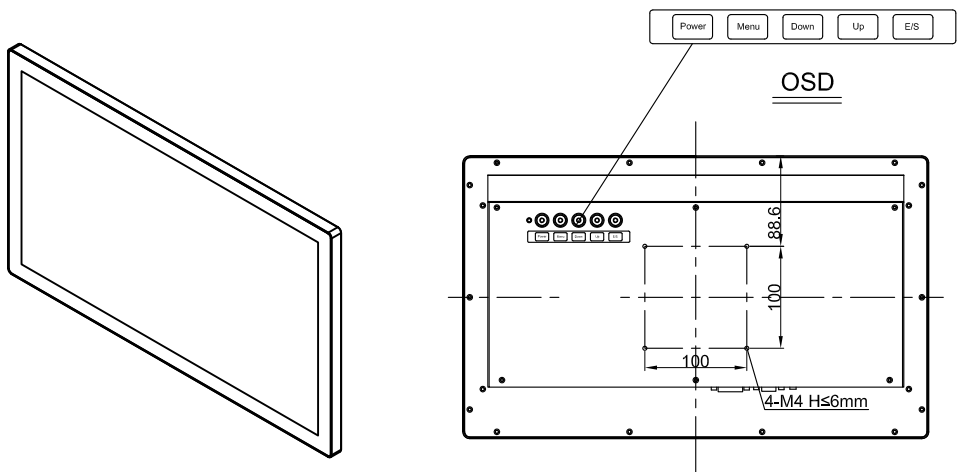
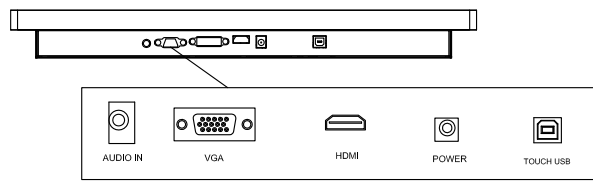
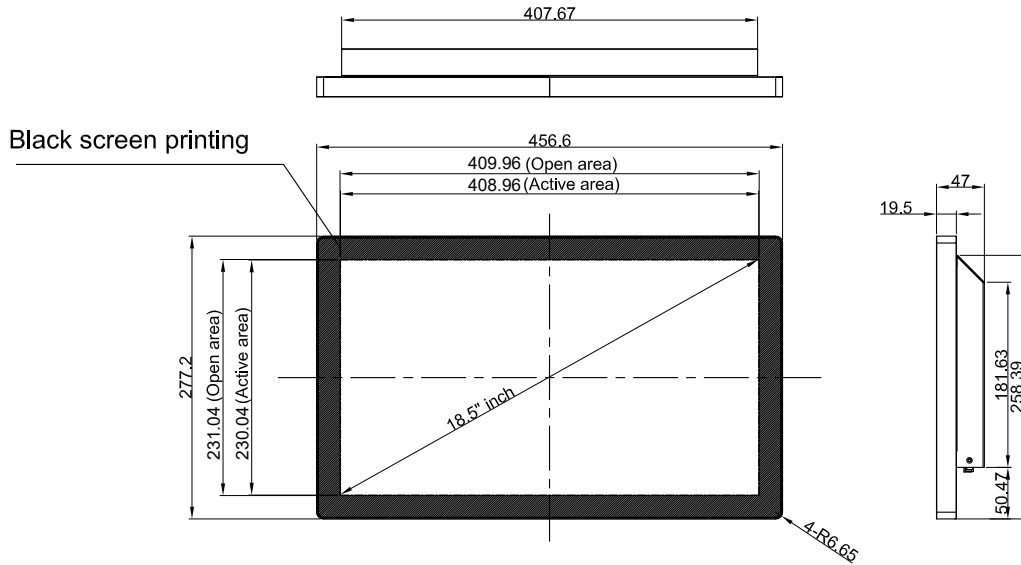
Ready for Use	7/24
Warranty	1 Year
Regulations	CCC, CE, FCC, CB, RoHS

DW03764-C

P-CAP Multi-Touch Screen and none-Edge-LED LCD Monitor

PRODUCT DRAWING

Drawings



All vent & speaker holes removed from the rear hosing.

Tolerance Table	
Dimension Range	Tolerance(mm)
Under 25 mm	0.1
25.1-100 mm	0.2
100.1-250 mm	0.4
250.1-400 mm	0.8
400.1-500 mm	1.5
500.1-630 mm	2.0
630.1-800 mm	2.5