

# DW03758-B

P-CAP Multi-Touch Screen and none-Edge-LED LCD Monitor

## PRODUCT DESCRIPTION



## Overview

Touch display supporting capacitance multi touch and LED backlight, providing excellent picture quality with wide viewing angle and high resolution. Integrated PCT capacitance multi touch, it can achieve a flat surface appearance similar to iPad and excellent multi touch experience. In principle, it can realize touch performance that is not afraid of light, dust and water. It has a fashionable black aluminum oxide. It is the best partner in retail, catering, gaming, video game and medical industry. With flexible desktop base, the product can be safely fixed in the required place at any angle.



## Features

### Easy to Use

Support a variety of input video signals, standard touch signal input, plug & play and power & signal on boot

### High Quality LED Panel

Full range VA E-LED backlight monitors, full HD resolution (1920 x 1080)

### Reliable and Professional Design

Designed with elegant full metal structure & aluminum bezel for outstanding image clarity

### Easy Installation

Supports optional standard VESA wall mount brackets and embedded install

### Flat Surface Design

Similar to iPad flat surface delivers durable dust & water resistance, improving product reliability and lifetime

### Projected Capacitive Multi-touch

10 points accurate touch response

### Multi touch Support

Support Windows multi touch protocol, multi screen calibration function

### Supported OS

Windows 7 /10, Android , Linux, Mac OSX

# DW03758-B

P-CAP Multi-Touch Screen and none-Edge-LED LCD Monitor

## PRODUCT DESCRIPTION

### Specifications

#### ■ Display

|                   |                      |
|-------------------|----------------------|
| LED Panel         | VA-Panel, 21.5inch   |
| Backlight         | E-LED (edge-lit)     |
| Viewable Area     | 476.6 x 268mm        |
| Brightness        | 500cd/m <sup>2</sup> |
| Contrast Ratio    | 3000:1               |
| Viewing Angle     | 178° H/V             |
| Response Time     | 18 ms (GTG)          |
| Number of Colors  | 16.7M Colors         |
| Native Resolution | 1920x1080(16:9),FHD  |
| Video Frequency   | 60Hz                 |
| Video Interface   | VGA x1 / HDMI x1     |
| Input Resolution  | 1920 x 1080 @ 60Hz   |

#### ■ Touch

|                  |  |
|------------------|--|
| Touch Points     | 10 (HID, only with supported OS)   |
| Touch Technology | Projective Capacitive (PCAP)   |
| Touch Method     | Finger, glove (latex)  |
|                  | Active & passive stylus pen  |
| Glass Overlay    | 4mm tempered glass   |
|                  | Optional AG / AR surface finish support touch in water fog and light rain. |
| Water Resistance | Little drops of water will not cause drift                                 |
| Response Time    | 16ms   |
| Report Rate      | >100Hz   |
| Touch Interface  | USB (Type B) x1  |
| Supported OS     | Win 7 / 10 / Android / Linux / Mac   |

#### ■ OSD Function

|               |                                      |
|---------------|--------------------------------------|
| OSD Controls  | 5 buttons                            |
| OSD Languages | CN, EN, FR, IT, DE<br>ES, KR, RU, PT |

#### ■ Mechanical

|                   |  |
|-------------------|--|
| Product Dimension | 524.1x 315.5x 47 mm                                  |
| Packing Dimension | 632x 436x 155 mm (1 PCS)<br>671x 458x 322 mm (4 PCS) |
| Weight (approx.)  | 7 kg / 8.5 kg  |
| Wall Mount Method | VESA, MIS-D, 100x100mm, Y, 4, 90                     |

#### ■ Power

|               |                                   |
|---------------|-----------------------------------|
| Power Supply  | DC in: DC 12V, connector: 5.5*2.5 |
| Typical Power | ≤ 20W (typ.)                      |
| Standby Power | ≤ 0.5 W (typ.)                    |

#### ■ Environmental

|                 |                        |
|-----------------|------------------------|
| Operating T & H | 0 °C ~ 50 °C, 90% RH   |
| Storage T & H   | -20 °C ~ 60 °C, 90% RH |

#### ■ Accessories

|                   |   |
|-------------------|---|
| Active Stylus Pen | Included  |
| Adapter           | AC-DC, AC 100~240V/50/60hz<br>DC 12V 3A, 5.5*2.5*10mm |

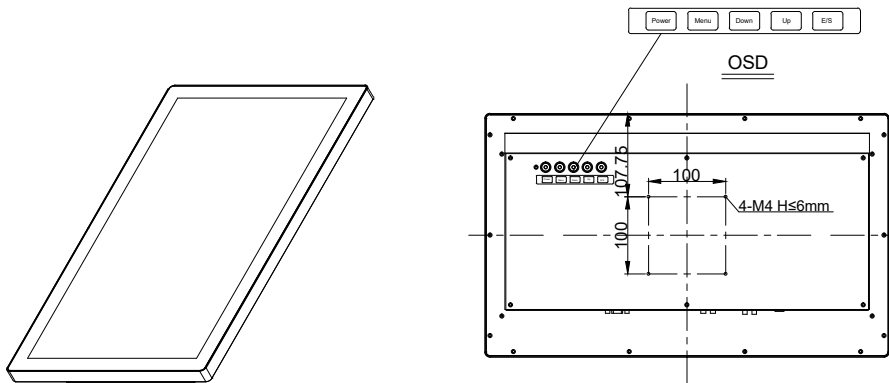
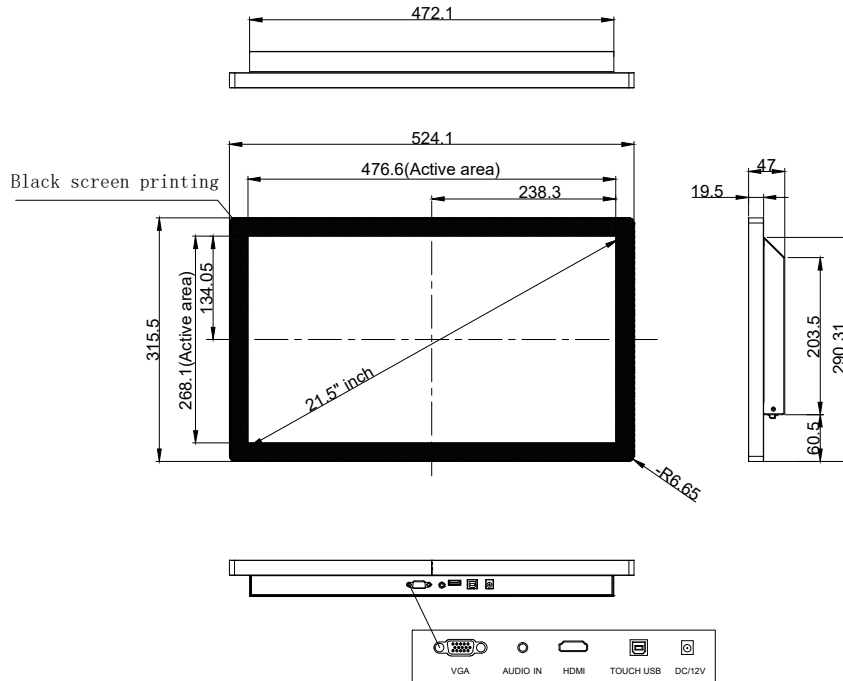
#### ■ Other

|               |                        |
|---------------|------------------------|
| Ready for Use | 7/24                   |
| Warranty      | 1 Year                 |
| Regulations   | CCC, CE, FCC, CB, RoHS |

**DW03758-B**

**PRODUCT DRAWING**

**Drawings**



All vent & speaker holes removed from the rear housing.

| Tolerance Table |               |
|-----------------|---------------|
| Dimension Range | Tolerance(mm) |
| Under 25 mm     | 0.1           |
| 25.1-100 mm     | 0.2           |
| 100.1-250 mm    | 0.4           |
| 250.1-400 mm    | 0.8           |
| 400.1-500 mm    | 1.5           |
| 500.1-630 mm    | 2.0           |
| 630.1-800 mm    | 2.5           |