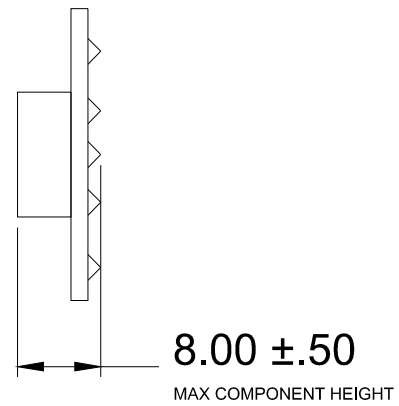


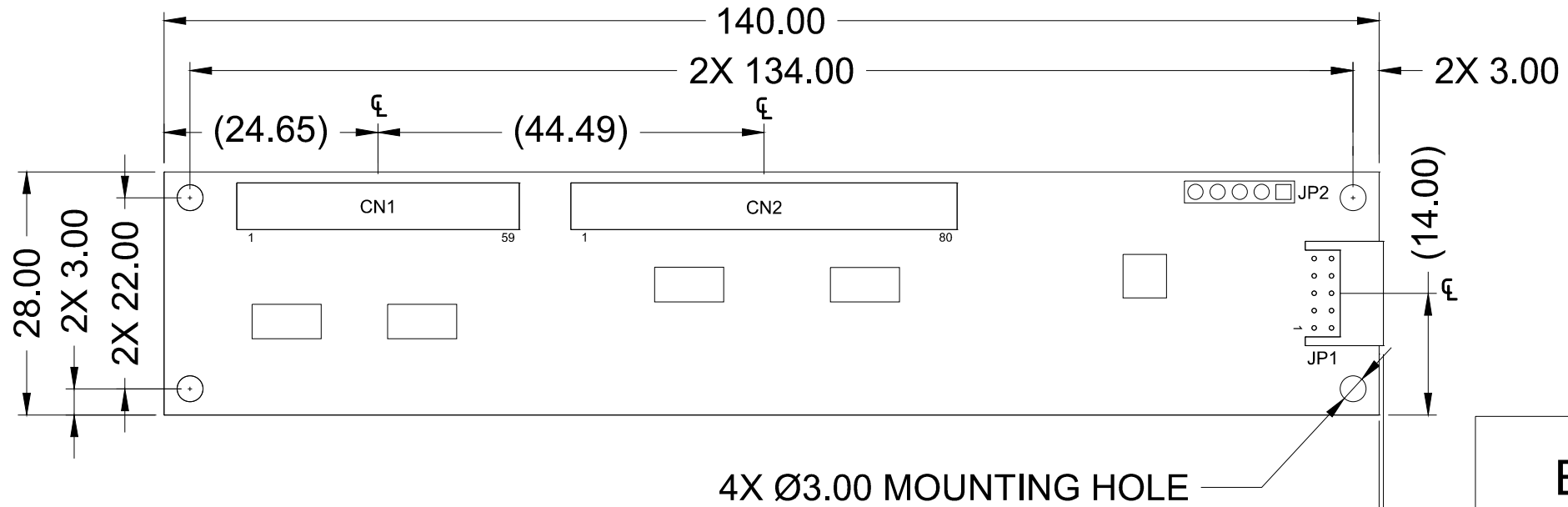


REVISIONS				DWN	DATE
ITEM REV	DWG REV	ECO	DESCRIPTION		
A	1	-	INITIAL RELEASE.	CPO	01-12-16

SIDE VIEW



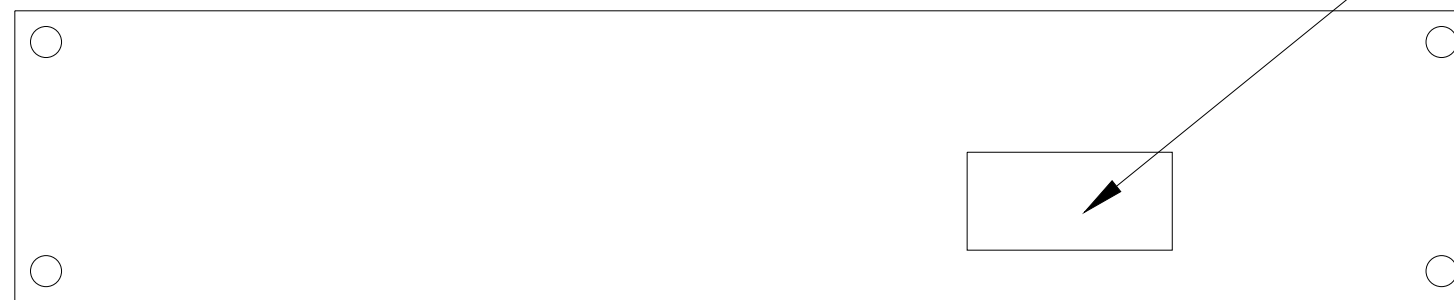
FRONT VIEW



Backside Label

EXC325680CKG  
0338  
CT10311-A

REAR VIEW



JP2	1 GND_EARTH
	2 I2C_SDA
	3 I2C_SCL
	4 VDD
	5 I2C_INT

JP1	5 D-	6 RX
	4 D+	7 TX
	3 GND	8 GND
	2 VDD	9 VDD
	1 GND_E	10 GND_E



1016 North Lincoln Avenue, Pittsburgh, PA 15233  
1.800.366.1904 - 412.322.9900 - Fax: 412.322.9958  
e-mail: sales@dawar.com - www.dawar.com

THIS CONFIDENTIAL DOCUMENT IS THE PROPERTY OF DAWAR TECHNOLOGIES, INC. AND SHALL NOT BE COPIED, REPRODUCED, DISCLOSED, AND/OR USED AS THE BASIS FOR MANUFACTURING OR SALE WITHOUT PERMISSION OF A DULY AUTHORIZED REPRESENTATIVE OF DAWAR TECHNOLOGIES, INC.

FIRMWARE NO.  
FW00338-A

DESCRIPTION  
1+2+2 PCAP CONTROLLER

ITEM/DRAWING NO.  
CT10311-A

UNIT  
mm [INCH]

TOLERANCE  
±0.25 [0.010] UNLESS SPECIFIED

SHEET  
1 OF 1

DRAWN BY  
C. OSTROWSKI

DWG REV  
1

DATE  
01-12-16