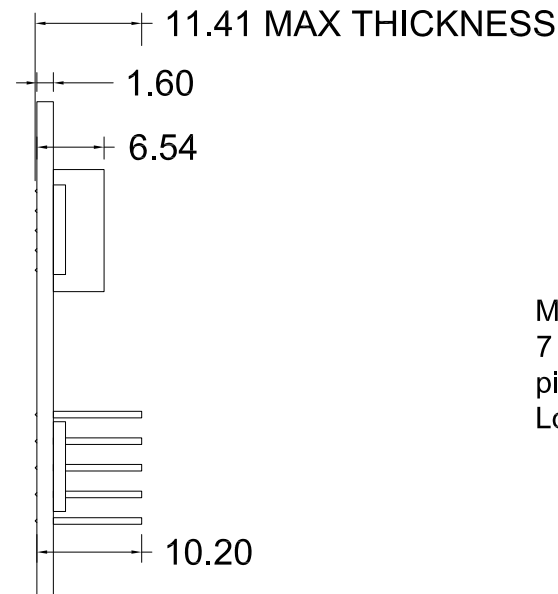


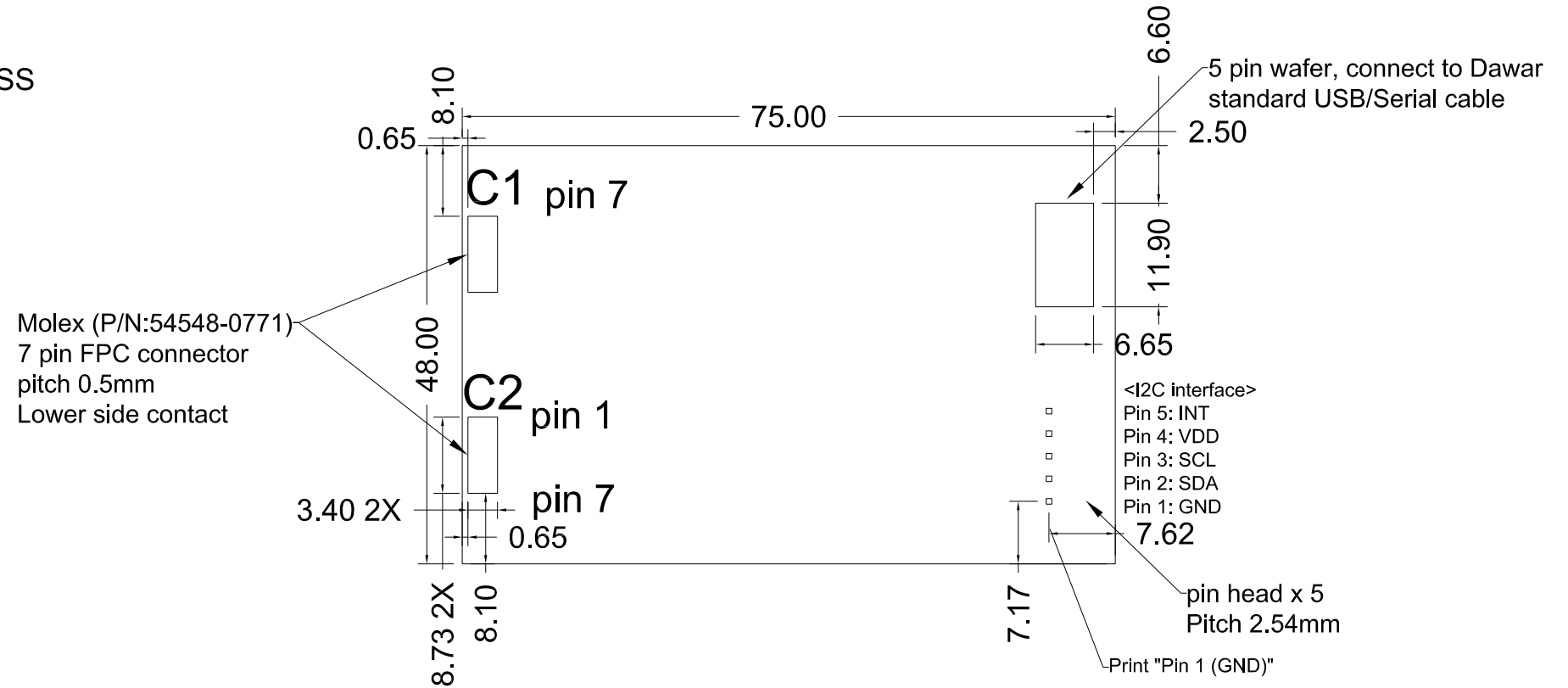


REVISIONS				DWN	DATE
ITEM REV	DWG REV	ECO	DESCRIPTION		
A	1	-	INITIAL RELEASE.	JL	9-17-12
A	2	0661	UPDATED DRAWING	WPD	3-24-14

## SIDE VIEW



## FRONT VIEW



	C1	C1 connect to C3	
Pin 1	VDD	Pin 2	VDD
Pin 2	GND	Pin 1 and 3	GND
Pin 3	D+	Pin 4	D+
Pin 4	D-	Pin 5	D-
Pin 5	INT		
Pin 6	SDA		
Pin 7	SCL		

	C2	C2 connect to C4	
Pin 1	VDD	Pin 4	VDD
Pin 2	GND	Pin 1	GND
Pin 3	D+		
Pin 4	D-		
Pin 5	INT	Pin 5	INT
Pin 6	SDA	Pin 2	SDA
Pin 7	SCL	Pin 3	SCL

**Controlled**  
ENGINEERING / GRAPHICS  
Signed by: Cassandra Ostrowski  
Dated: 03-25-14

**DawarTouch**  
1016 North Lincoln Avenue, Pittsburgh, PA 15233  
1.800.366.1904 • 412.322.9900 • Fax: 412.322.9958  
e-mail: sales@dawar.com • www.dawar.com  
THIS CONFIDENTIAL DOCUMENT IS THE PROPERTY OF DAWAR TECHNOLOGIES, INC. AND SHALL NOT BE COPIED, REPRODUCED, DISCLOSED, AND/OR USED AS THE BASIS FOR MANUFACTURING OR SALE WITHOUT PERMISSION OF A DULY AUTHORIZED REPRESENTATIVE OF DAWAR TECHNOLOGIES, INC.

ITEM/DRAWING NO. CT10064-A		DWN		DATE
UNIT MM [INCH]	TOLERANCE ±0.25 [0.010] UNLESS SPECIFIED	SHEET 1 OF 1	DRAWN BY BILL DORFNER	DATE 3-24-14
DESCRIPTION STANDARD COF ADAPTER BOARD				