

BILL OF MATERIALS

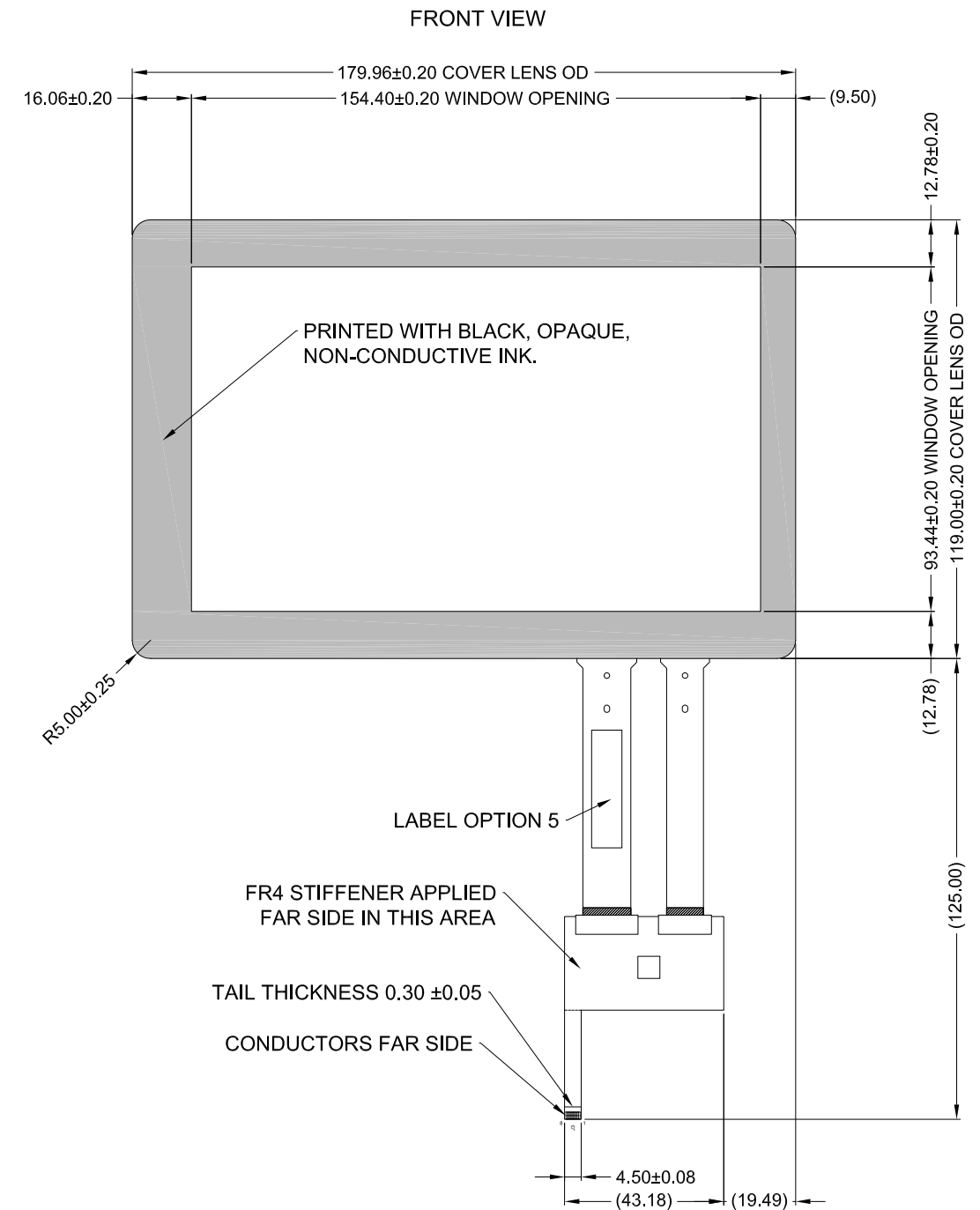
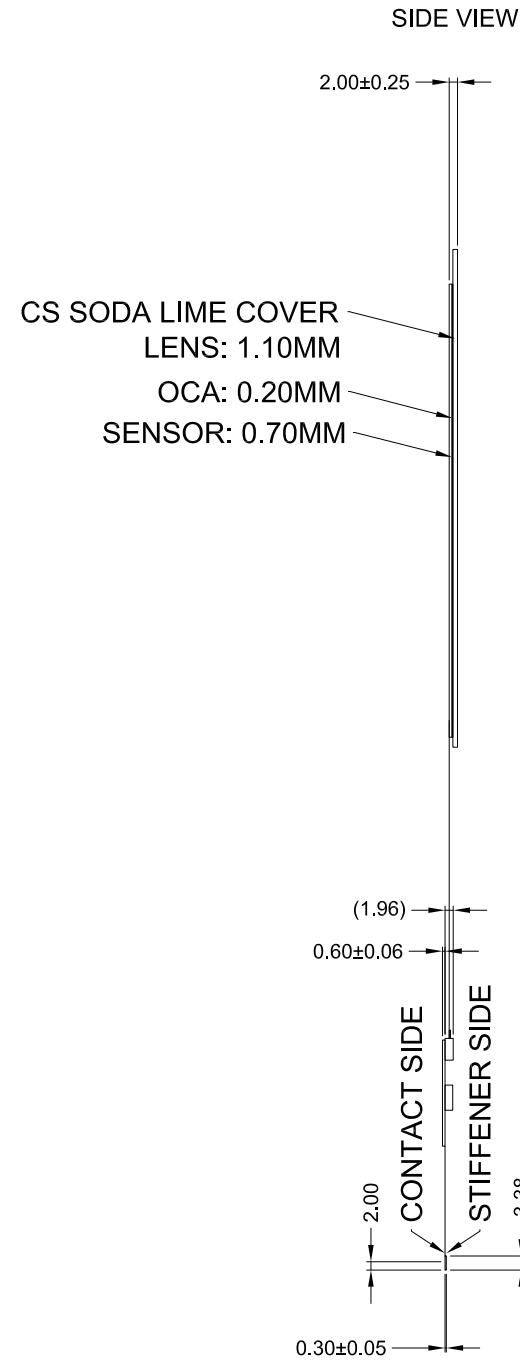
REF	DESCRIPTION	QTY	ITEM #
A	STANDARD PCAP GG2 7.0" W	1	DW01837-A
B	COF CIRCUIT	1	CT10454-A
C	FIRMWARE	1	FW00414-A-1



REVISIONS				DWN	DATE
ITEM REV	DWG REV	ECO	DESCRIPTION		
A	1	-	INITIAL RELEASE.	AMH	2-2-16

- NOTES:
1. TAIL TYPE-FPC GOLD PLATED.
 2. PART IS ROHS COMPLIANT.
 3. DIMENSIONS IN PARENTHESIS ARE FOR REFERENCE ONLY.
 4. SPECIFICATION PER QAD (CURRENT REVISION).
 5. COVER LENS:
 - A) MATERIAL:
 - 1.10MM THICK CHEMICALLY STRENGTHENED CLEAR SODA LIME GLASS WITH PENCIL GROUND EDGEWORK.
 - B) PRINTING TOLERANCE: ±0.38MM.
 - C) COLORS: PRINTED SECOND SURFACE, PANTONE BLACK
 6. SUGGESTED MATING CONNECTOR: MOLEX 503480-0800 OR EQUIV.

J3	
PIN	FUNCTION
1	VDD
2	GND
3	SCL
4	SDA
5	/CHG
6	/RST
7	GPIO2
8	GPIO1



Controlled
ENGINEERING / GRAPHICS
Signed by: Cassandra Ostrowski
Dated: 02-05-16

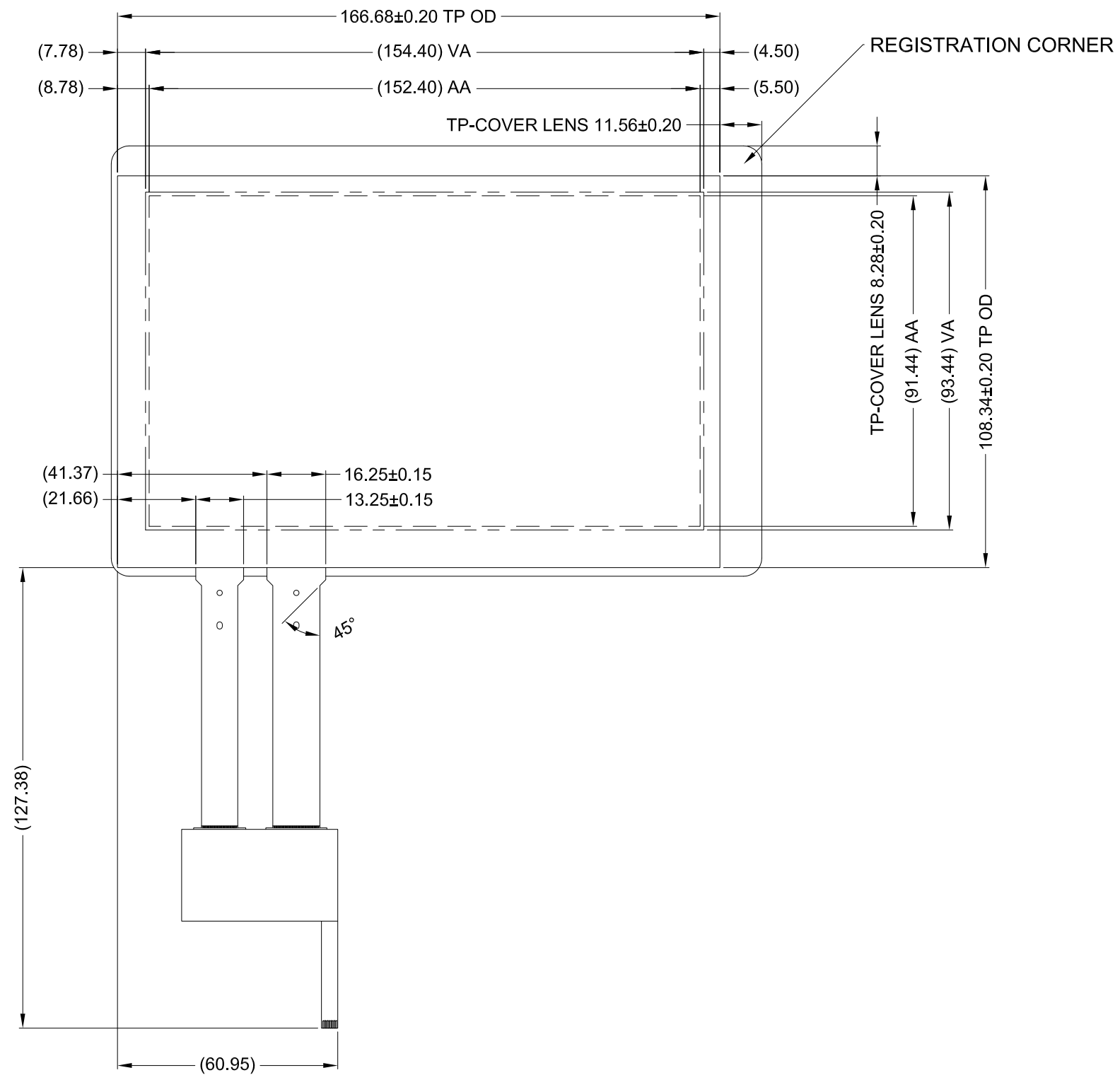
DawarTouch
1016 North Lincoln Avenue, Pittsburgh, PA 15233
1.800.366.1904 - 412.322.9900 - Fax: 412.322.9958
e-mail: sales@dawar.com - www.dawar.com
THIS CONFIDENTIAL DOCUMENT IS THE PROPERTY OF DAWAR TECHNOLOGIES, INC. AND SHALL NOT BE COPIED, REPRODUCED, DISCLOSED, AND/OR USED AS THE BASIS FOR MANUFACTURING OR SALE WITHOUT PERMISSION OF A DULY AUTHORIZED REPRESENTATIVE OF DAWAR TECHNOLOGIES, INC.

MARKETING NO. GG2COF_07.0W-00001		ITEM/DRAWING NO. DW02181-A		DWG REV 1	
UNIT MM [INCH]	TOLERANCE ±0.30 [0.012] UNLESS SPECIFIED	SHEET 1 OF 2	DRAWN BY TONY HOUSOS	DATE 2-2-16	
DESCRIPTION 7.0"W PROJECTED CAPACITIVE GG2 COF TOUCHSCREEN					



REVISIONS				DWN	DATE
ITEM REV	DWG REV	ECO	DESCRIPTION		
-	-	-	SEE PAGE 1 FOR REVISION HISTORY	-	-

REAR VIEW



1016 North Lincoln Avenue, Pittsburgh, PA 15233
 1.800.366.1904 - 412.322.9900 - Fax: 412.322.9958
 e-mail: sales@dawar.com - www.dawar.com

THIS CONFIDENTIAL DOCUMENT IS THE PROPERTY OF DAWAR TECHNOLOGIES, INC. AND SHALL NOT BE COPIED, REPRODUCED, DISCLOSED, AND/OR USED AS THE BASIS FOR MANUFACTURING OR SALE WITHOUT PERMISSION OF A DULY AUTHORIZED REPRESENTATIVE OF DAWAR TECHNOLOGIES, INC.

MARKETING NO.
 GG2COF_07.0W-00001

DESCRIPTION
 7.0"W PROJECTED CAPACITIVE GG2 COF TOUCHSCREEN

ITEM/DRAWING NO. DW02181-A		DWG REV 1	
UNIT MM [INCH]	TOLERANCE ±0.30 [0.012] UNLESS SPECIFIED	SHEET 2 OF 2	DRAWN BY TONY HOUSOS
		DATE 2-2-16	