

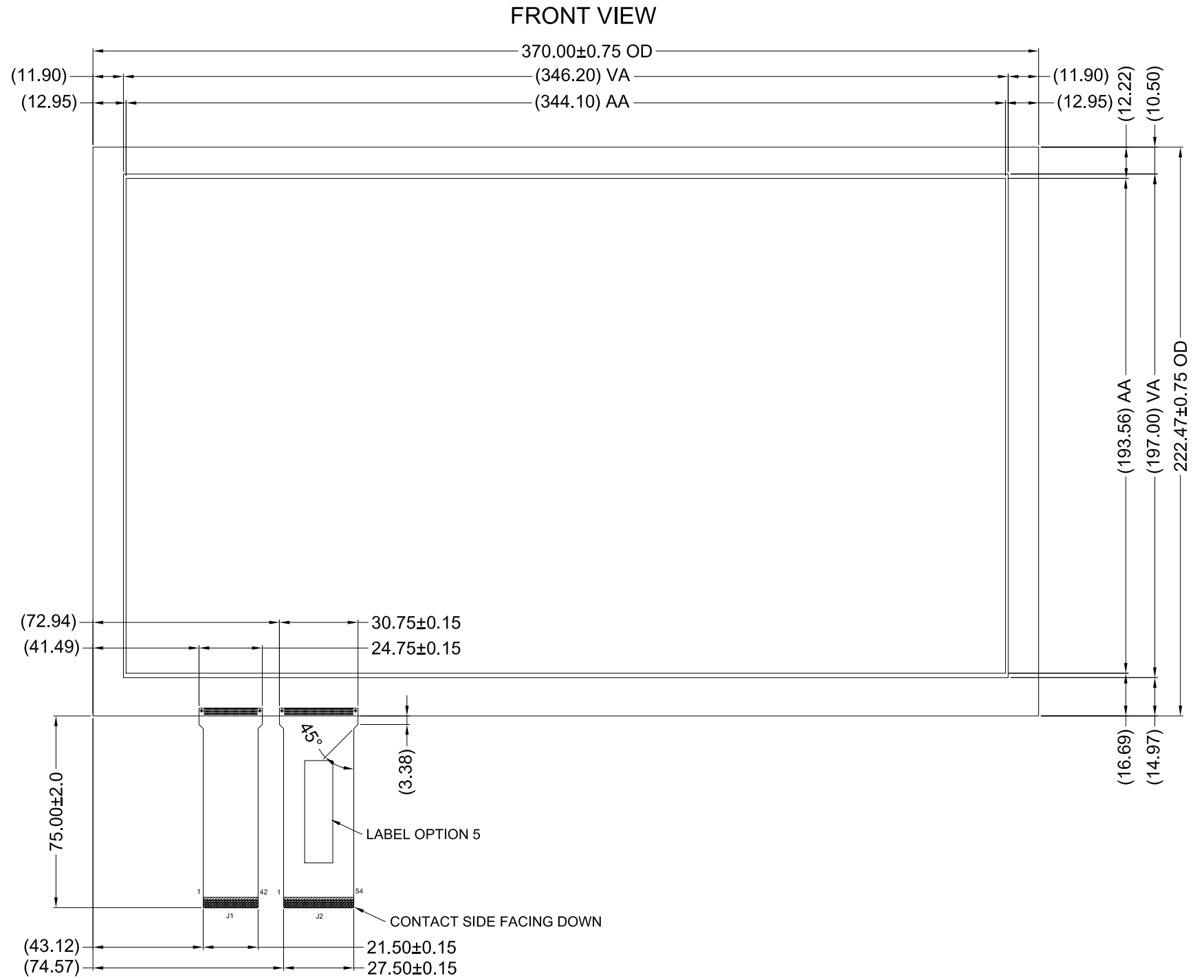
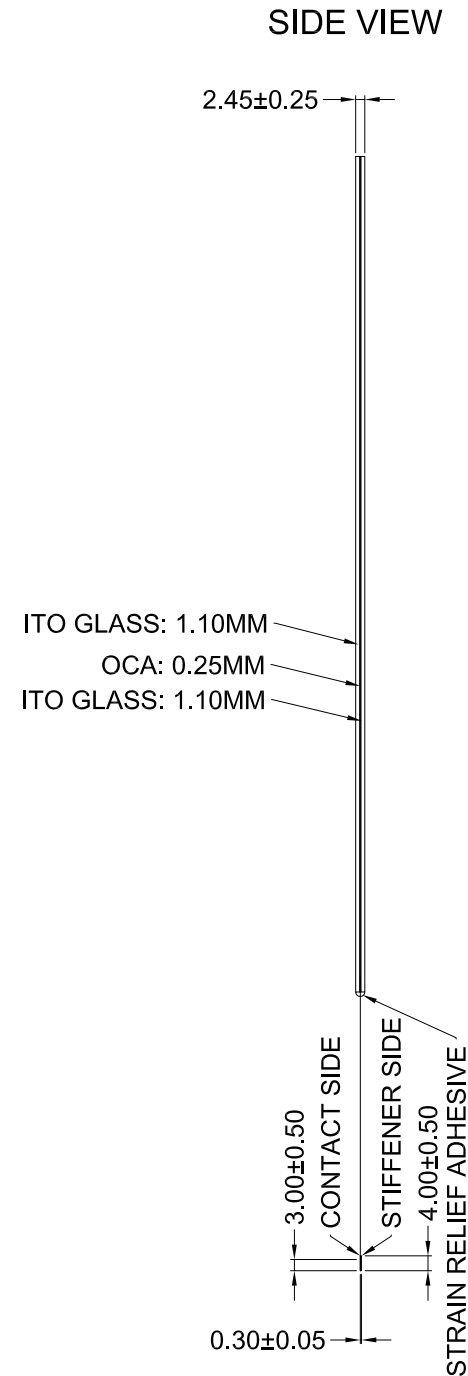
NOTES:

1. TAIL TYPE-FPC GOLD PLATED.
2. PART IS ROHS COMPLIANT.
3. DIMENSIONS IN PARENTHESIS ARE FOR REFERENCE ONLY.
4. SENSOR SPECIFICATION PER QAD 19-1 (CURRENT REVISION).



REVISIONS				DWN	DATE
ITEM REV	DWG REV	ECO	DESCRIPTION		
A	1	-	INITIAL RELEASE.	AMH	11-18-14

J1		J2	
PIN	FUNCTION	PIN	FUNCTION
1	SHIELD	1	NC
2	Y1	2	NC
3	Y2	3	NC
4	Y3	4	NC
5	Y4	5	SHIELD
6	Y5	6	X1
7	Y6	7	X2
8	Y7	8	X3
9	Y8	9	X4
10	Y9	10	X5
11	Y10	11	X6
12	Y11	12	X7
13	Y12	13	X8
14	Y13	14	X9
15	Y14	15	X10
16	Y15	16	X11
17	Y16	17	X12
18	Y17	18	X13
19	Y18	19	X14
20	Y19	20	X15
21	Y20	21	X16
22	Y21	22	X17
23	Y22	23	X18
24	Y23	24	X19
25	Y24	25	X20
26	Y25	26	X21
27	Y26	27	X22
28	Y27	28	X23
29	SHIELD	29	X24
30	NC	30	X25
31	NC	31	X26
32	NC	32	X27
33	NC	33	X28
34	NC	34	X29
35	NC	35	X30
36	NC	36	X31
37	NC	37	X32
38	NC	38	X33
39	NC	39	X34
40	NC	40	X35
41	NC	41	X36
42	NC	42	X37
		43	X38
		44	X39
		45	X40
		46	X41
		47	X42
		48	X43
		49	X44
		50	X45
		51	X46
		52	X47
		53	X48
		54	SHIELD



1016 North Lincoln Avenue, Pittsburgh, PA 15233  
 1.800.366.1904 - 412.322.9900 - Fax: 412.322.9958  
 e-mail: sales@dawar.com - www.dawar.com

**THIS CONFIDENTIAL DOCUMENT IS THE PROPERTY OF DAWAR TECHNOLOGIES, INC. AND SHALL NOT BE COPIED, REPRODUCED, DISCLOSED, AND/OR USED AS THE BASIS FOR MANUFACTURING OR SALE WITHOUT PERMISSION OF A DULY AUTHORIZED REPRESENTATIVE OF DAWAR TECHNOLOGIES, INC.**

ITEM/DRAWING NO. DW01495-A		DWG REV 1	
MANUFACTURING NUMBER PCAP_15.6W-00002	UNIT MM [INCH]	TOLERANCE ±0.25 [0.010] UNLESS SPECIFIED	SHEET 1 OF 1
DESCRIPTION 15.6"W PROJECTED CAPACITIVE TOUCHSCREEN		DRAWN BY TONY HOUSOS	DATE 11-18-14