

NOTES:

1. TAIL TYPE-FPC GOLD PLATED
2. PART IS ROHS COMPLIANT
3. DIMENSIONS IN PARENTHESIS ARE FOR REFERENCE ONLY
4. SENSOR SPECIFICATION PER QAD 19-1 (CURRENT REVISION)

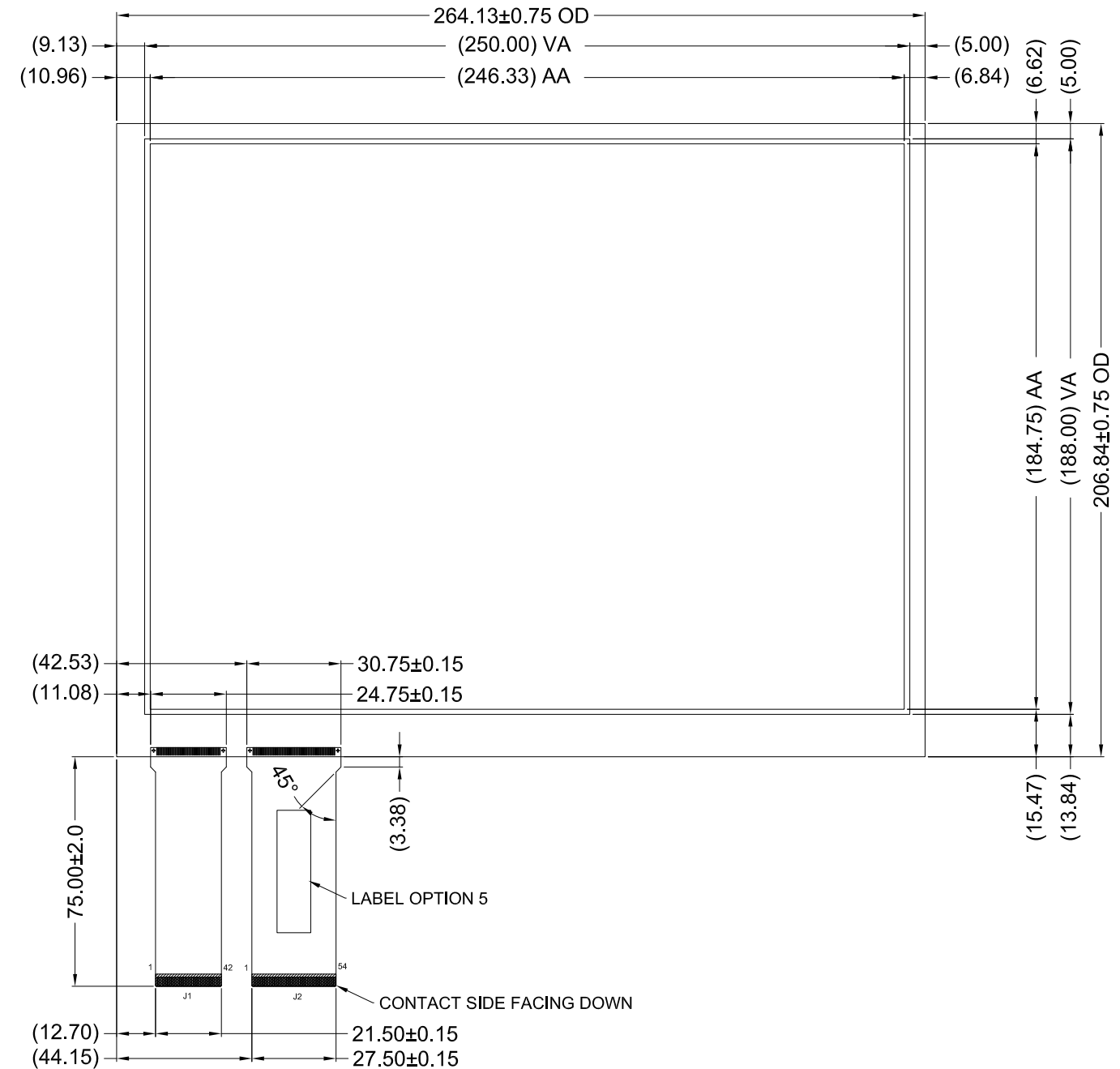
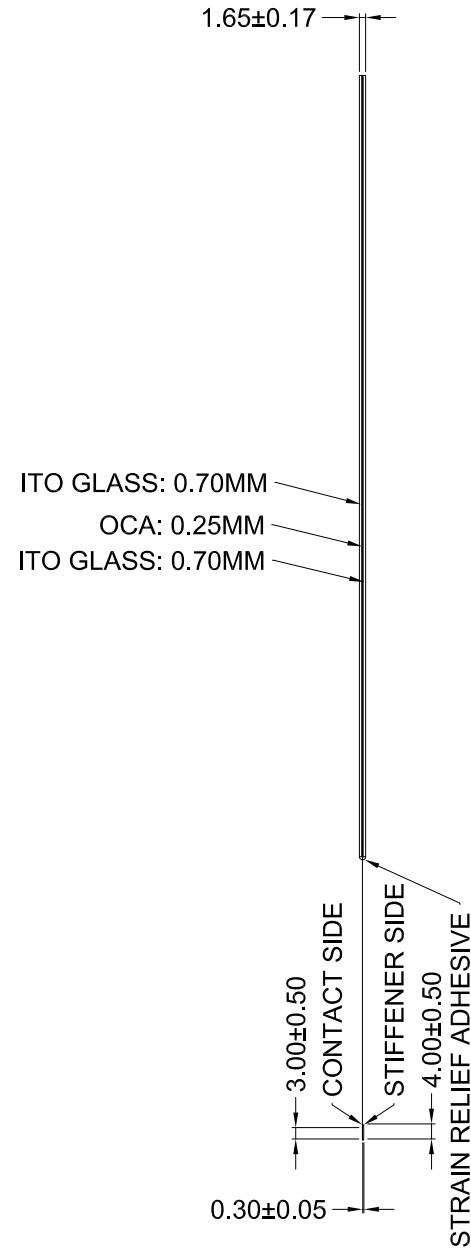


REVISIONS				DWN	DATE
ITEM REV	DWG REV	ECO	DESCRIPTION		
A	1	-	INITIAL RELEASE.	AMH	11-20-14

SIDE VIEW

FRONT VIEW

J1		J2	
PIN	FUNCTION	PIN	FUNCTION
1	SHIELD	1	SHIELD
2	Y1	2	X1
3	Y2	3	X2
4	Y3	4	X3
5	Y4	5	X4
6	Y5	6	X5
7	Y6	7	X6
8	Y7	8	X7
9	Y8	9	X8
10	Y9	10	X9
11	Y10	11	X10
12	Y11	12	X11
13	Y12	13	X12
14	Y13	14	X13
15	Y14	15	X14
16	Y15	16	X15
17	Y16	17	X16
18	Y17	18	X17
19	Y18	19	X18
20	Y19	20	X19
21	Y20	21	X20
22	Y21	22	X21
23	Y22	23	X22
24	Y23	24	X23
25	Y24	25	X24
26	SHIELD	26	X25
27	NC	27	X26
28	NC	28	X27
29	NC	29	X28
30	NC	30	X29
31	NC	31	X30
32	NC	32	X31
33	NC	33	X32
34	NC	34	SHIELD
35	NC	35	NC
36	NC	36	NC
37	NC	37	NC
38	NC	38	NC
39	NC	39	NC
40	NC	40	NC
41	NC	41	NC
42	NC	42	NC
43	NC	43	NC
44	NC	44	NC
45	NC	45	NC
46	NC	46	NC
47	NC	47	NC
48	NC	48	NC
49	NC	49	NC
50	NC	50	NC
51	NC	51	NC
52	NC	52	NC
53	NC	53	NC
54	NC	54	NC



DawarTouch[®]

1016 North Lincoln Avenue, Pittsburgh, PA 15233
 1.800.366.1904 - 412.322.9900 - Fax: 412.322.9958
 e-mail: sales@dawar.com - www.dawar.com

THIS CONFIDENTIAL DOCUMENT IS THE PROPERTY OF DAWAR TECHNOLOGIES, INC. AND SHALL NOT BE COPIED, REPRODUCED, DISCLOSED, AND/OR USED AS THE BASIS FOR MANUFACTURING OR SALE WITHOUT PERMISSION OF A DULY AUTHORIZED REPRESENTATIVE OF DAWAR TECHNOLOGIES, INC.

DAWAR PART NO. PCAP_12.1-00002		ITEM/DRAWING NO. DW01490-A			DWG REV 1
DESCRIPTION 12.1" PROJECTED CAPACITIVE TOUCHSCREEN (STANDARD PRODUCT)	UNIT MM [INCH]	TOLERANCE ±0.25 [0.010] UNLESS SPECIFIED	SHEET 1 OF 1	DRAWN BY TONY HOUSOS	DATE 11-20-14