

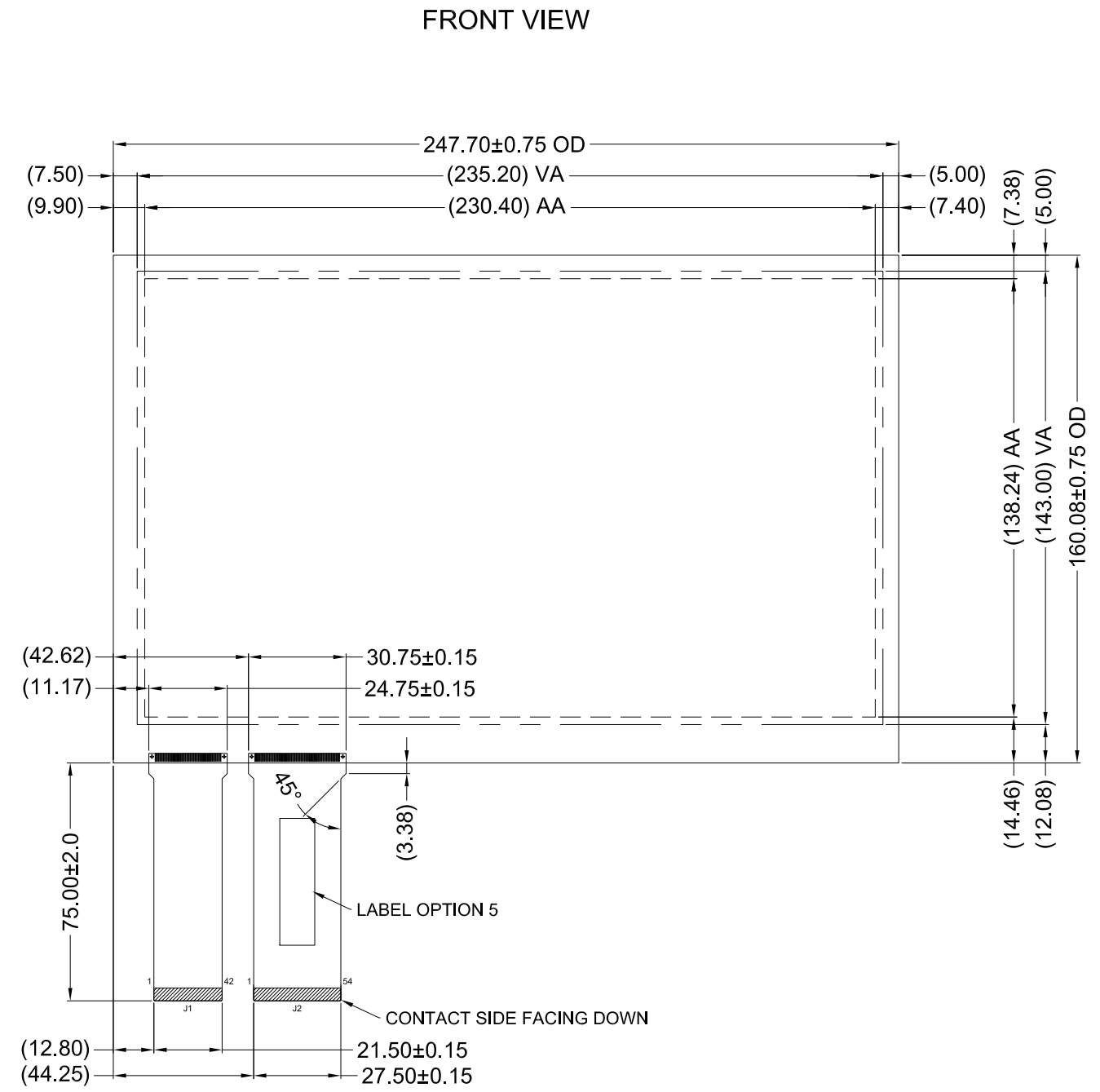
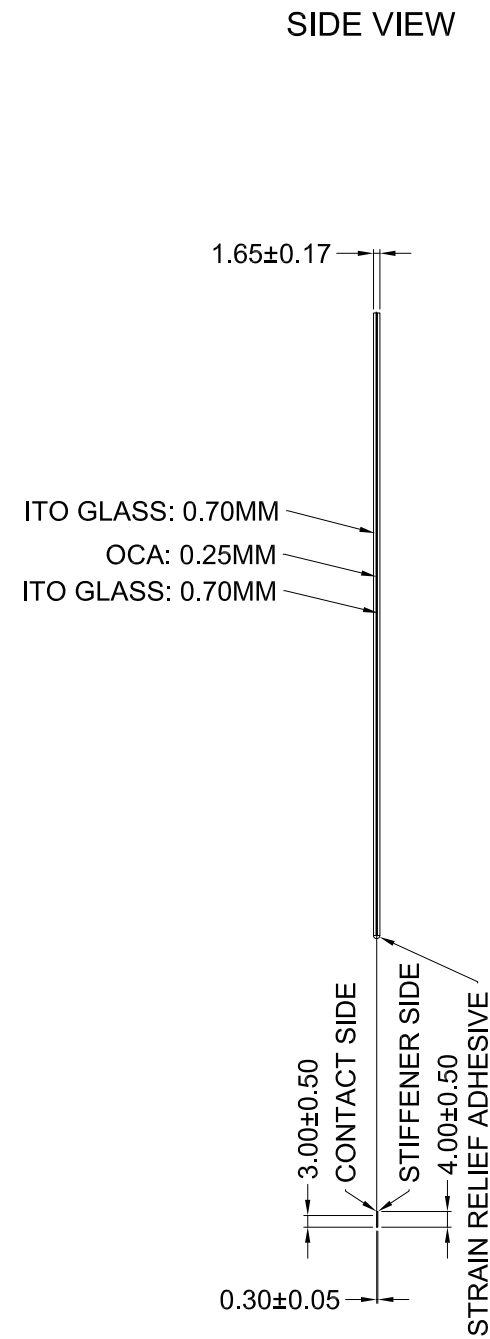
NOTES:

1. TAIL TYPE-FPC GOLD PLATED.
2. PART IS ROHS COMPLIANT.
3. DIMENSIONS IN PARENTHESIS ARE FOR REFERENCE ONLY.
4. SENSOR SPECIFICATION PER QAD 19-1 (CURRENT REVISION).
5. OPTIMIZED FOR 3000 SERIES CONTROLLER.



REVISIONS				DWN	DATE
ITEM REV	DWG REV	ECO	DESCRIPTION		
A	1	-	INITIAL RELEASE.	AMH	1-13-16

J1		J2	
PIN	FUNCTION	PIN	FUNCTION
1	SHIELD	1	SHIELD
2	Y1	2	X1
3	Y2	3	X2
4	Y3	4	X3
5	Y4	5	X4
6	Y5	6	X5
7	Y6	7	X6
8	Y7	8	X7
9	Y8	9	X8
10	Y9	10	X9
11	Y10	11	X10
12	Y11	12	X11
13	Y12	13	X12
14	Y13	14	X13
15	Y14	15	X14
16	Y15	16	X15
17	Y16	17	X16
18	Y17	18	X17
19	Y18	19	X18
20	SHIELD	20	X19
21	NC	21	X20
22	NC	22	X21
23	NC	23	X22
24	NC	24	X23
25	NC	25	X24
26	NC	26	X25
27	NC	27	X26
28	NC	28	X27
29	NC	29	X28
30	NC	30	X29
31	NC	31	X30
32	NC	32	SHIELD
33	NC	33	NC
34	NC	34	NC
35	NC	35	NC
36	NC	36	NC
37	NC	37	NC
38	NC	38	NC
39	NC	39	NC
40	NC	40	NC
41	NC	41	NC
42	NC	42	NC
		43	NC
		44	NC
		45	NC
		46	NC
		47	NC
		48	NC
		49	NC
		50	NC
		51	NC
		52	NC
		53	NC
		54	NC



1016 North Lincoln Avenue, Pittsburgh, PA 15233  
 1.800.366.1904 - 412.322.9900 - Fax: 412.322.9958  
 e-mail: sales@dawar.com - www.dawar.com

**THIS CONFIDENTIAL DOCUMENT IS THE PROPERTY OF DAWAR TECHNOLOGIES, INC. AND SHALL NOT BE COPIED, REPRODUCED, DISCLOSED, AND/OR USED AS THE BASIS FOR MANUFACTURING OR SALE WITHOUT PERMISSION OF A DULY AUTHORIZED REPRESENTATIVE OF DAWAR TECHNOLOGIES, INC.**

DAWAR PART NO. PCAP_10.6W-00002		ITEM/DRAWING NO. DW01489-A		DWG REV 1	
UNIT MM [INCH]	TOLERANCE ±0.25 [0.010] UNLESS SPECIFIED	SHEET 1 OF 1	DRAWN BY TONY HOUSOS	DATE 1-13-16	
DESCRIPTION 10.6"W PROJECTED CAPACITIVE TOUCHSCREEN (STANDARD PRODUCT)					