

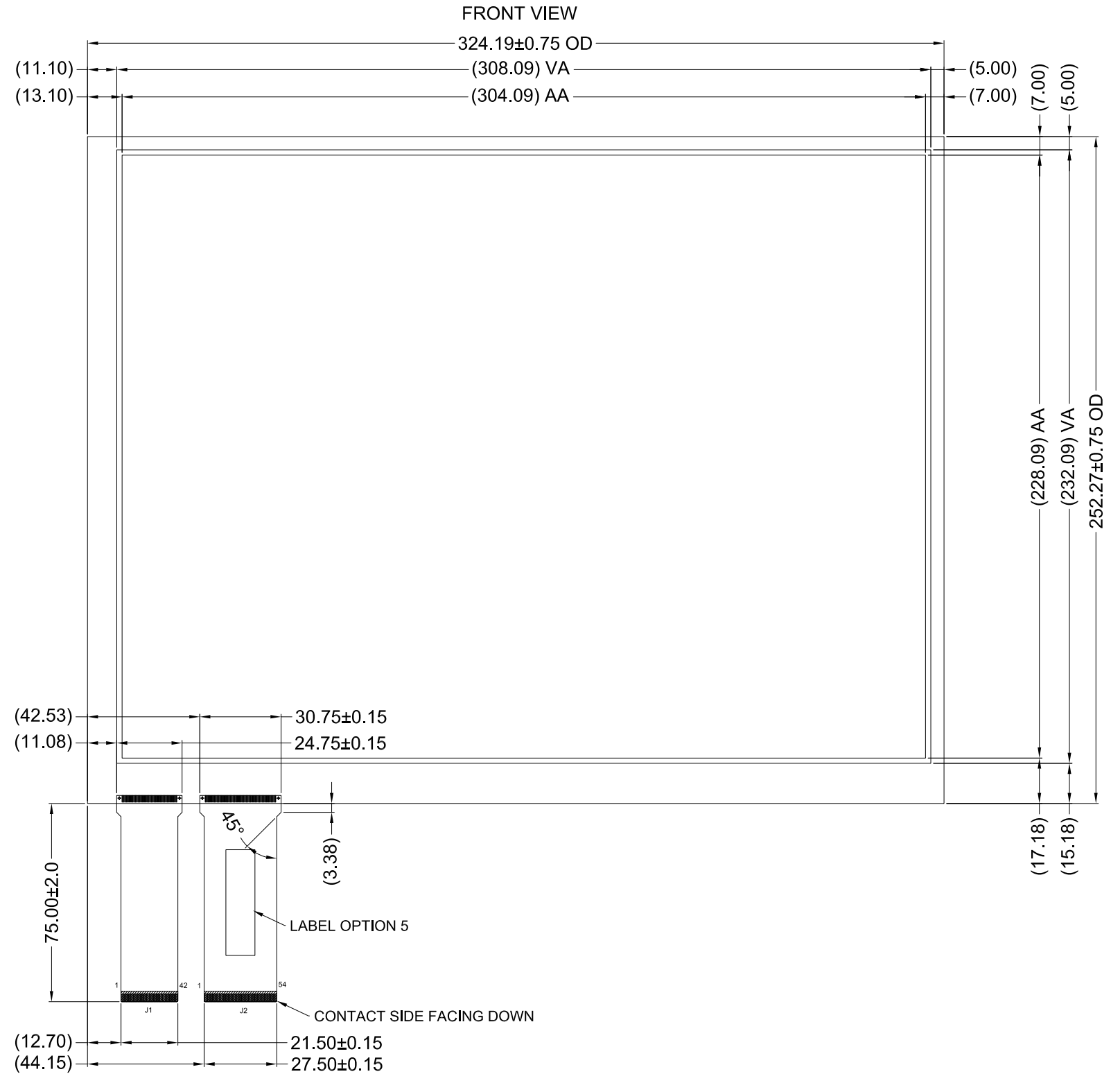
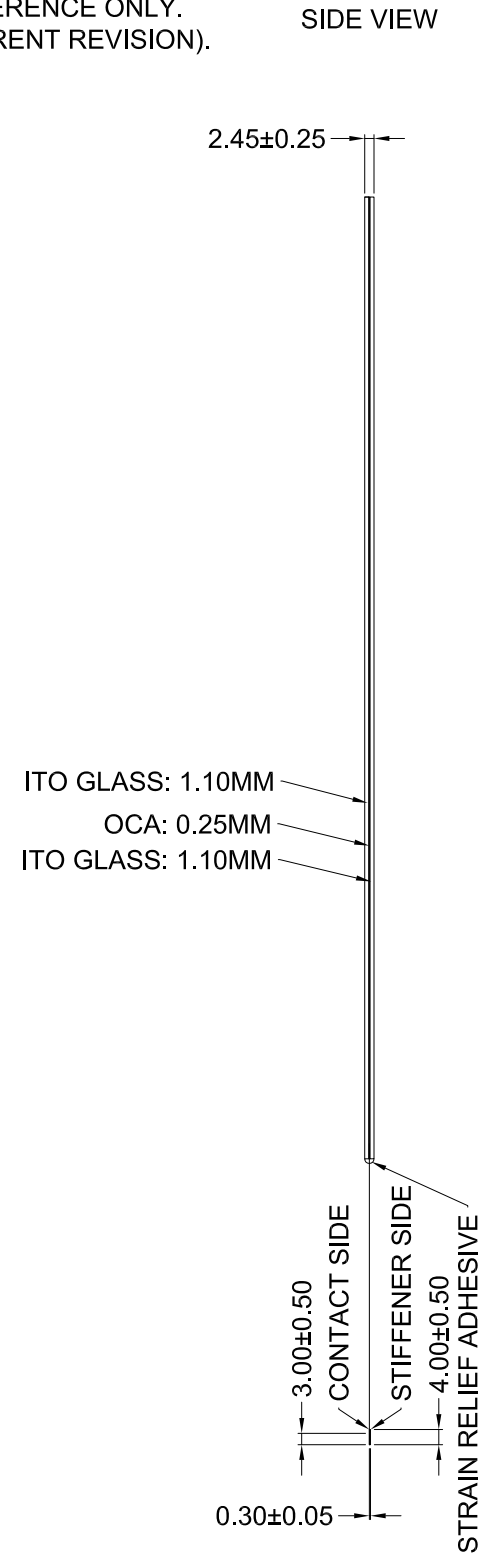
- NOTES:
 1. TAIL TYPE-FPC GOLD PLATED.
 2. PART IS ROHS COMPLIANT.
 3. DIMENSIONS IN PARENTHESIS ARE FOR REFERENCE ONLY.
 4. SENSOR SPECIFICATION PER QAD 19-1 (CURRENT REVISION).



REVISIONS				DWN	DATE
ITEM REV	DWG REV	ECO	DESCRIPTION	WPD	8-27-15
A	1	-	INITIAL RELEASE.		

J1	
PIN	FUNCTION
1	SHIELD
2	Y1
3	Y2
4	Y3
5	Y4
6	Y5
7	Y6
8	Y7
9	Y8
10	Y9
11	Y10
12	Y11
13	Y12
14	Y13
15	Y14
16	Y15
17	Y16
18	Y17
19	Y18
20	Y19
21	Y20
22	Y21
23	Y22
24	Y23
25	Y24
26	Y25
27	Y26
28	Y27
29	Y28
30	Y29
31	Y30
32	SHIELD
33	NC
34	NC
35	NC
36	NC
37	NC
38	NC
39	NC
40	NC
41	NC
42	NC

J2	
PIN	FUNCTION
1	SHIELD
2	X1
3	X2
4	X3
5	X4
6	X5
7	X6
8	X7
9	X8
10	X9
11	X10
12	X11
13	X12
14	X13
15	X14
16	X15
17	X16
18	X17
19	X18
20	X19
21	X20
22	X21
23	X22
24	X23
25	X24
26	X25
27	X26
28	X27
29	X28
30	X29
31	X30
32	X31
33	X32
34	X33
35	X34
36	X35
37	X36
38	X37
39	X38
40	X39
41	X40
42	SHIELD
43	NC
44	NC
45	NC
46	NC
47	NC
48	NC
49	NC
50	NC
51	NC
52	NC
53	NC
54	NC



Controlled
 ENGINEERING / GRAPHICS
 Signed by: Cassandra Ostrowski
 Dated: 08-28-15

DawarTouch
 1016 North Lincoln Avenue, Pittsburgh, PA 15233
 1.800.366.1904 - 412.322.9900 - Fax: 412.322.9958
 e-mail: sales@dawar.com - www.dawar.com
 THIS CONFIDENTIAL DOCUMENT IS THE PROPERTY OF DAWAR TECHNOLOGIES, INC. AND SHALL NOT BE COPIED, REPRODUCED, DISCLOSED, AND/OR USED AS THE BASIS FOR MANUFACTURING OR SALE WITHOUT PERMISSION OF A DULY AUTHORIZED REPRESENTATIVE OF DAWAR TECHNOLOGIES, INC.

DAWAR PART NO. PCAP_15.0-00002	ITEM/DRAWING NO. DW01492-A	DWG REV 1
DESCRIPTION 15.0" PROJECTED CAPACITIVE TOUCHSCREEN (STANDARD PRODUCT)	UNIT MM [INCH]	TOLERANCE ±0.25 [0.010] UNLESS SPECIFIED
	SHEET 1 OF 1	DRAWN BY BILL DORFNER
		DATE 8-27-15