

BILL OF MATERIALS

REF	DESCRIPTION	QTY	ITEM #
A	STANDARD PCAP GFF 10.1"W	1	DW01831-A
B	COF CIRCUIT	1	CT10455-A
C	FIRMWARE	1	FW00413-A-1

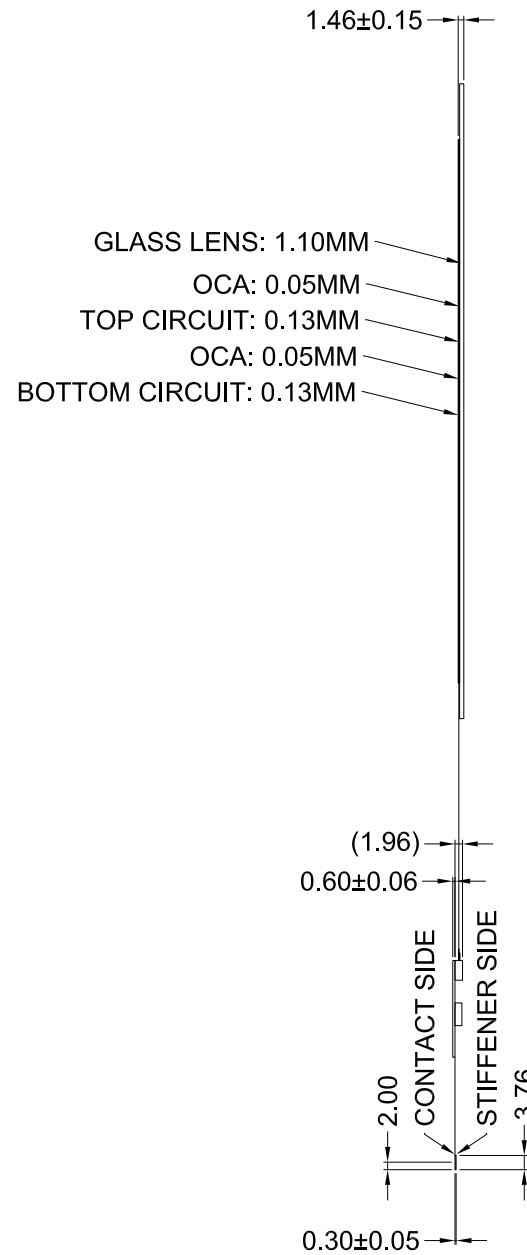


REVISIONS				DWN	DATE
ITEM REV	DWG REV	ECO	DESCRIPTION		
A	1	-	INITIAL RELEASE.	AMH	2-2-16

NOTES:

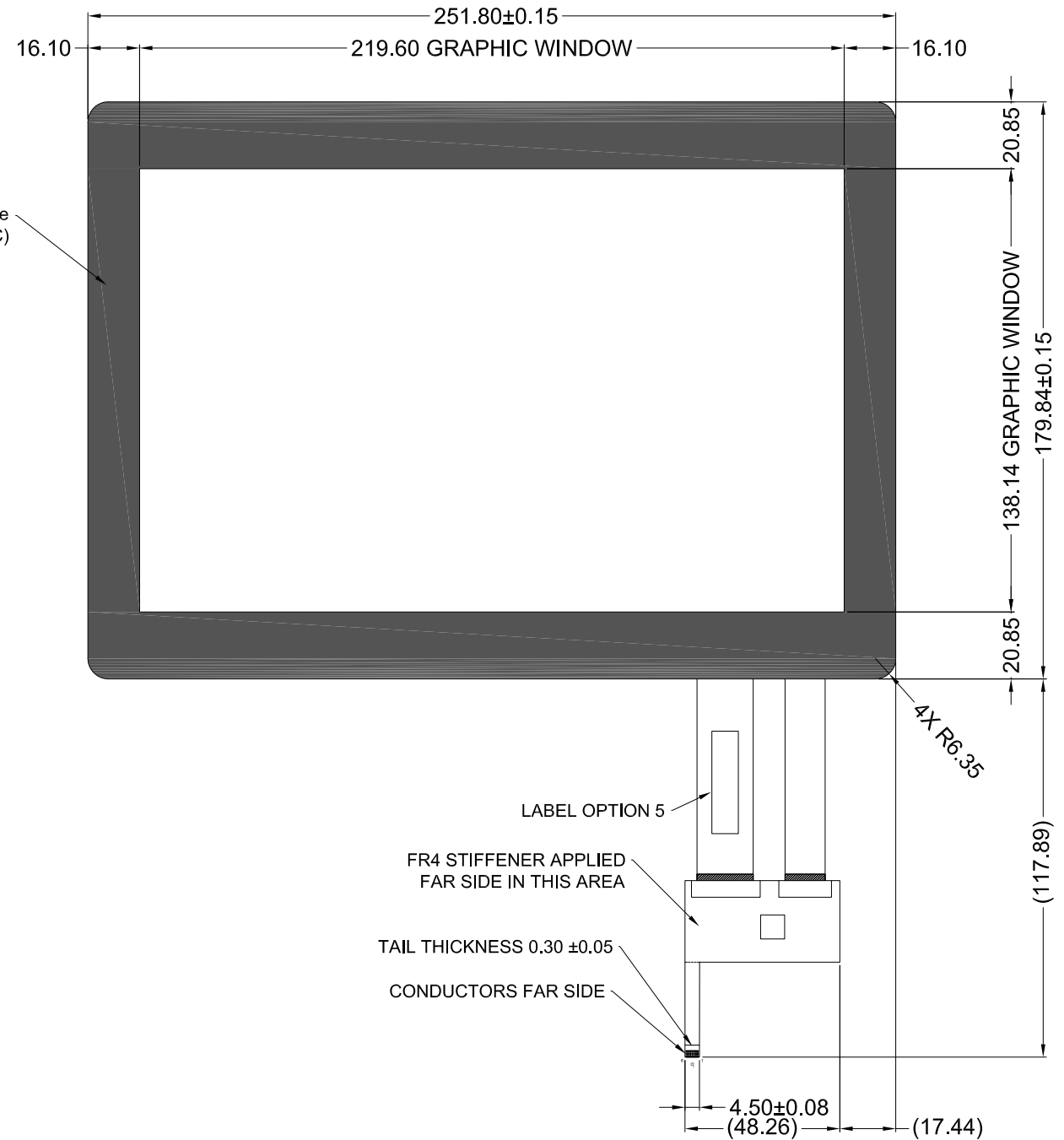
- COVER LENS MATERIAL: 1.10MM SODA LIME GLASS.
- PENCIL POLISHED EDGES AND RADIUS CORNERS.
-
-
-
- SUGGESTED MATING CONNECTOR: MOLEX 503480-0800 OR EQUIV.

SIDE VIEW



Black Printing on Farside
(Pantone Black C)

FRONT VIEW



J3	
PIN	FUNCTION
1	VDD
2	GND
3	SCL
4	SDA
5	/CHG
6	/RST
7	GPIO0
8	GPIO1

Controlled
ENGINEERING / GRAPHICS

Signed by: Cassandra Ostrowski
Dated: 02-05-16

DawarTouch[®]

1016 North Lincoln Avenue, Pittsburgh, PA 15233
1.800.366.1904 - 412.322.9900 - Fax: 412.322.9958
e-mail: sales@dawar.com - www.dawar.com

THIS CONFIDENTIAL DOCUMENT IS THE PROPERTY OF DAWAR TECHNOLOGIES, INC. AND SHALL NOT BE COPIED, REPRODUCED, DISCLOSED, AND/OR USED AS THE BASIS FOR MANUFACTURING OR SALE WITHOUT PERMISSION OF A DULY AUTHORIZED REPRESENTATIVE OF DAWAR TECHNOLOGIES, INC.

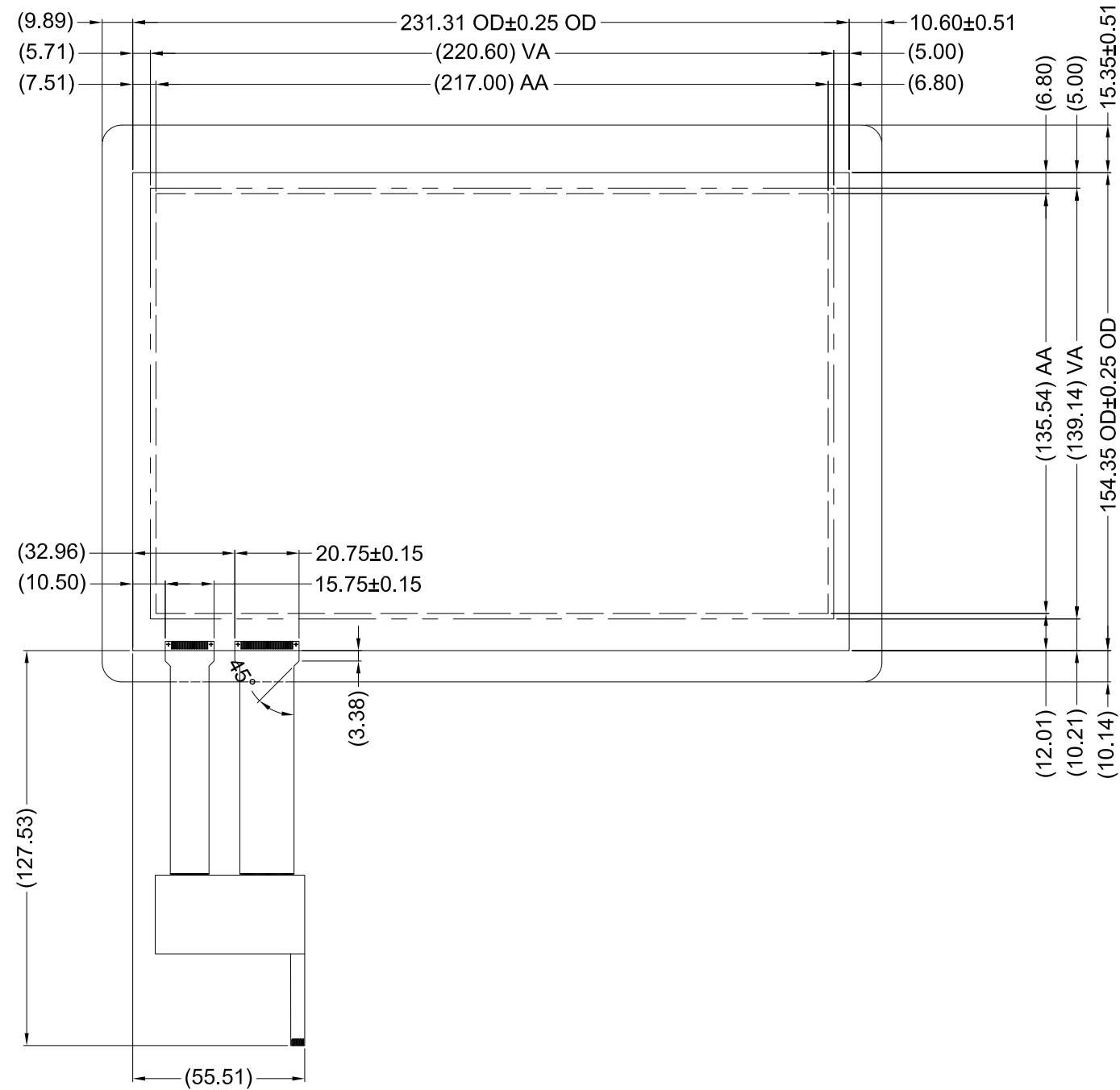
MARKETING NO. GFFCOF_10.1W-00001		ITEM/DRAWING NO. DW02180-A		DWG REV 1	
UNIT MM [INCH]	TOLERANCE ±0.30 [0.012] UNLESS SPECIFIED	SHEET 1 OF 2	DRAWN BY TONY HOUSOS	DATE 2-2-16	
DESCRIPTION 10.1"W PROJECTED CAPACITIVE GFF COF TOUCHSCREEN					

- NOTES:
 1. TAIL TYPE-FPC GOLD PLATED.
 2. PART IS ROHS COMPLIANT.
 3. DIMENSIONS IN PARENTHESIS ARE FOR REFERENCE ONLY.
 4. SENSOR SPECIFICATION PER QAD 19-6 (CURRENT REVISION).



REVISIONS				DWN	DATE
ITEM REV	DWG REV	ECO	DESCRIPTION		
-	-	-	SEE PAGE 1 FOR REVISION HISTORY	-	-

REAR VIEW



1016 North Lincoln Avenue, Pittsburgh, PA 15233
 1.800.366.1904 - 412.322.9900 - Fax: 412.322.9958
 e-mail: sales@dawar.com - www.dawar.com

THIS CONFIDENTIAL DOCUMENT IS THE PROPERTY OF DAWAR TECHNOLOGIES, INC. AND SHALL NOT BE COPIED, REPRODUCED, DISCLOSED, AND/OR USED AS THE BASIS FOR MANUFACTURING OR SALE WITHOUT PERMISSION OF A DULY AUTHORIZED REPRESENTATIVE OF DAWAR TECHNOLOGIES, INC.

MARKETING NO.
 GFFCOF_10.1W-00001

DESCRIPTION
 10.1"W PROJECTED CAPACITIVE GFF COF TOUCHSCREEN

ITEM/DRAWING NO. DW02180-A			DWG REV 1	
UNIT MM [INCH]	TOLERANCE ±0.30 [0.012] UNLESS SPECIFIED	SHEET 2 OF 2	DRAWN BY TONY HOUSOS	DATE 2-2-16