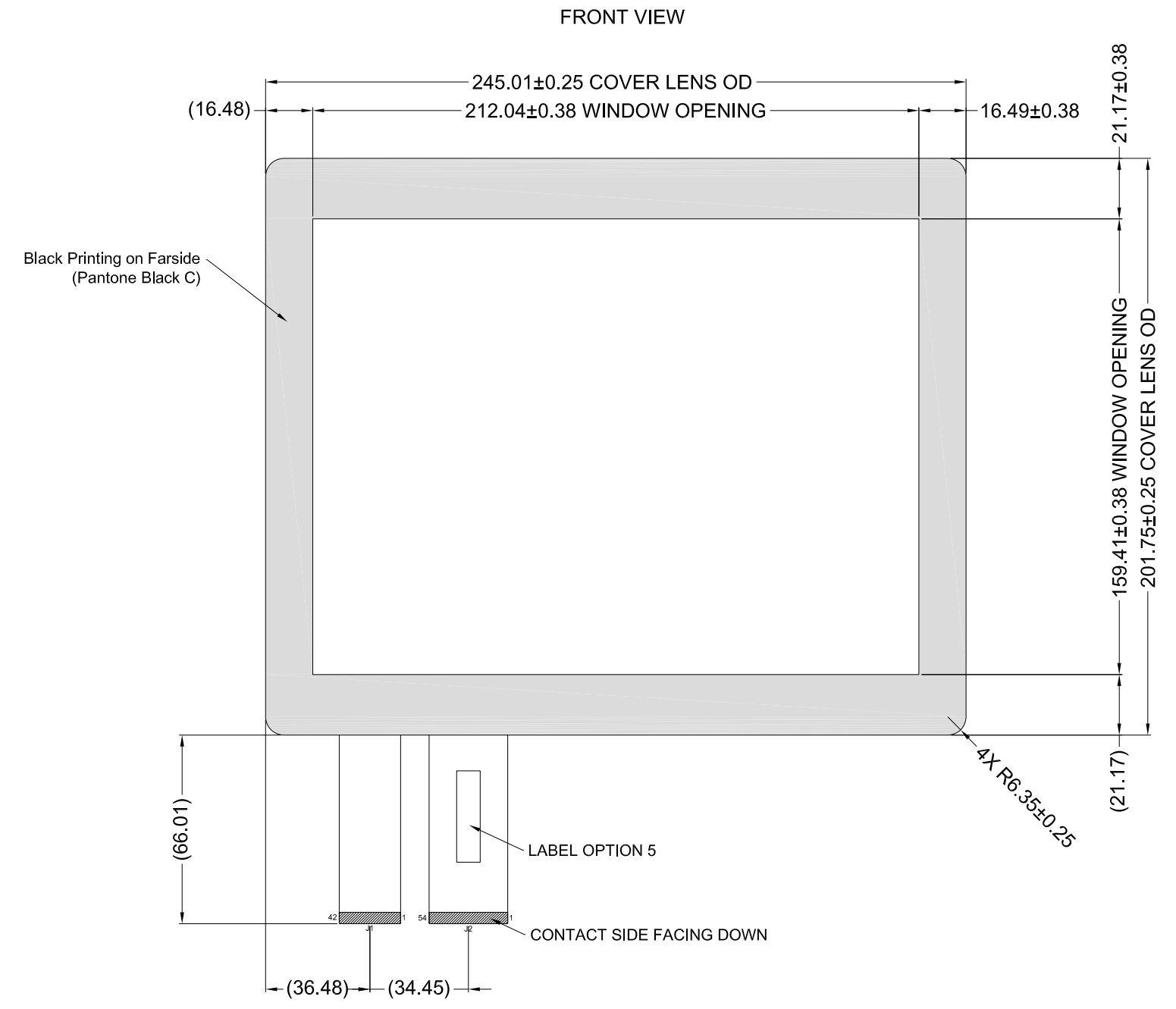
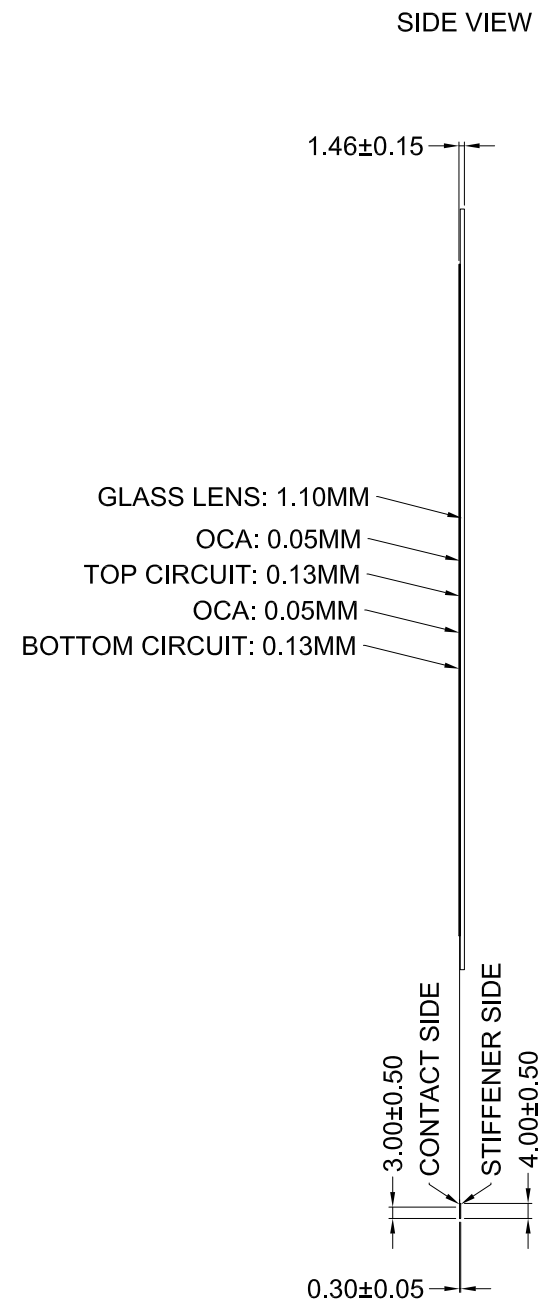


- NOTES:  
 1. COVER LENS MATERIAL: 1.10MM SODA LIME GLASS CHEMICALLY STRENGTHENED.  
 2. PENCIL POLISHED EDGES AND RADIUS CORNERS.



REVISIONS				DWN	DATE
ITEM REV	DWG REV	ECO	DESCRIPTION		
A	1	-	INITIAL RELEASE.	AMH	6-28-15
B	1	0928	MOVED TAILS FOR CONTROLLER CLEARANCE.	AMH	10-9-15

J1		J2	
PIN	FUNCTION	PIN	FUNCTION
1	GROUND	1	GROUND
2	DS0	2	DS0
3	X0	3	Y0
4	X1	4	Y1
5	X2	5	Y2
6	X3	6	Y3
7	X4	7	Y4
8	X5	8	Y5
9	X6	9	Y6
10	X7	10	Y7
11	X8	11	Y8
12	X9	12	Y9
13	X10	13	Y10
14	X11	14	Y11
15	X12	15	Y12
16	X13	16	Y13
17	X14	17	Y14
18	X15	18	Y15
19	X16	19	Y16
20	X17	20	Y17
21	X18	21	Y18
22	X19	22	Y19
23	X20	23	Y20
24	NC	24	Y21
25	NC	25	Y22
26	NC	26	Y23
27	NC	27	Y24
28	NC	28	Y25
29	NC	29	Y26
30	NC	30	Y27
31	NC	31	NC
32	NC	32	NC
33	NC	33	NC
34	NC	34	NC
35	NC	35	NC
36	NC	36	NC
37	NC	37	NC
38	NC	38	NC
39	NC	39	NC
40	NC	40	NC
41	DS0	41	NC
42	GROUND	42	NC
		43	NC
		44	NC
		45	NC
		46	NC
		47	NC
		48	NC
		49	NC
		50	NC
		51	NC
		52	NC
		53	DS0
		54	GROUND



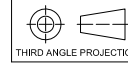
**Controlled**  
 ENGINEERING / GRAPHICS  
 Signed by: Cassandra Ostrowski  
 Dated: 10-22-15

**DawarTouch**  
 1016 North Lincoln Avenue, Pittsburgh, PA 15233  
 1.800.366.1904 - 412.322.9900 - Fax: 412.322.9958  
 e-mail: sales@dawar.com - www.dawar.com  
 THIS CONFIDENTIAL DOCUMENT IS THE PROPERTY OF DAWAR TECHNOLOGIES, INC. AND SHALL NOT BE COPIED, REPRODUCED, DISCLOSED, AND/OR USED AS THE BASIS FOR MANUFACTURING OR SALE WITHOUT PERMISSION OF A DULY AUTHORIZED REPRESENTATIVE OF DAWAR TECHNOLOGIES, INC.

MARKETING NO. GFF_10.4-00001	ITEM/DRAWING NO. DW01832-B	UNIT MM [INCH]	TOLERANCE ±0.25 [0.010] UNLESS SPECIFIED	SHEET 1 OF 2	DRAWN BY TONY HOUSOS	DWG REV 1	DATE 6-28-15
DESCRIPTION 10.4" GFF PROJECTED CAPACITIVE TOUCHSCREEN W/ COVERLENS							

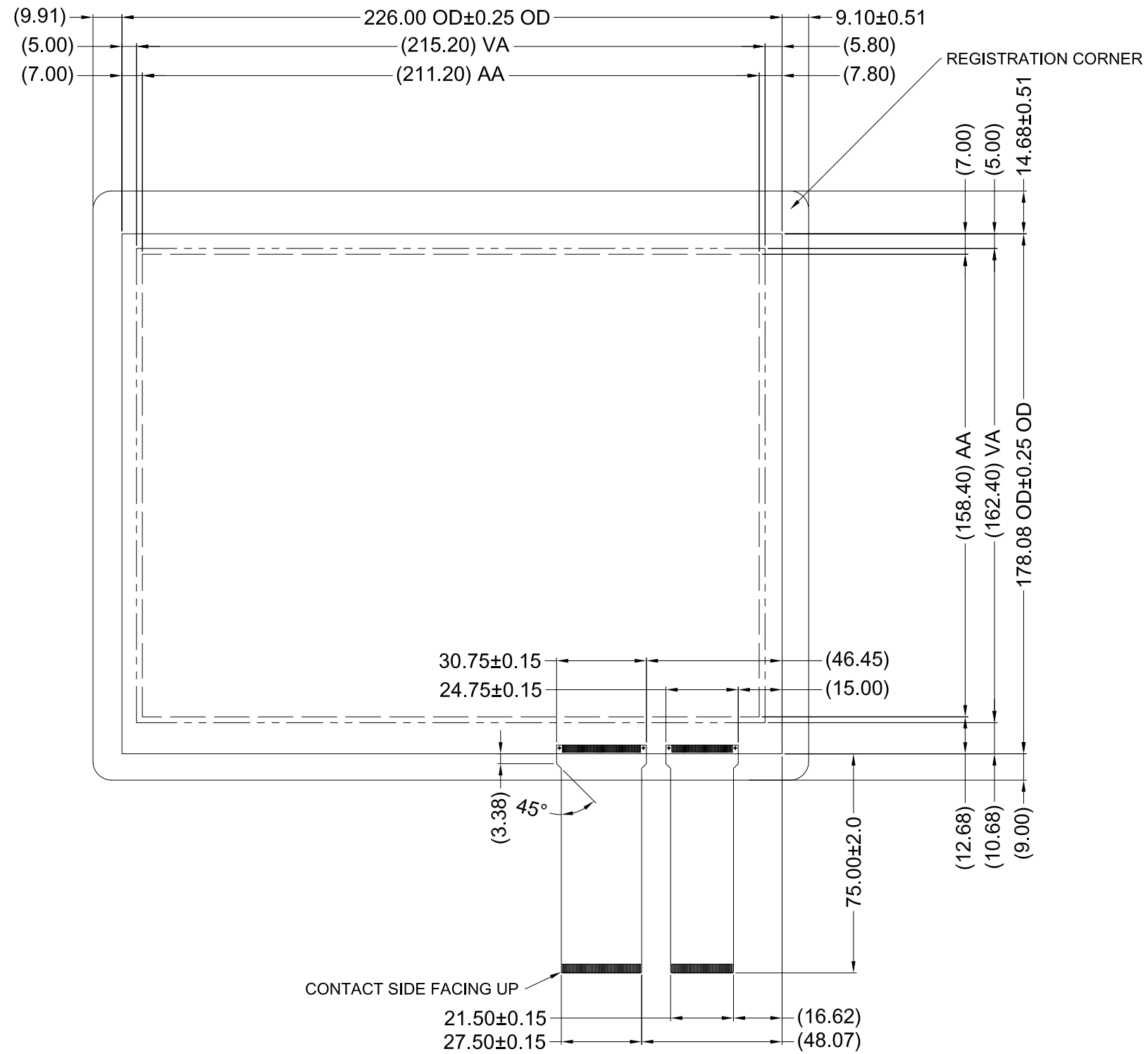
NOTES:

1. TAIL TYPE-FPC GOLD PLATED.
2. PART IS ROHS COMPLIANT.
3. DIMENSIONS IN PARENTHESIS ARE FOR REFERENCE ONLY.
4. SENSOR SPECIFICATION PER QAD 19-6 (CURRENT REVISION).



REVISIONS				DWN	DATE
ITEM REV	DWG REV	ECO	DESCRIPTION		
-	-	-	SEE PAGE 1 FOR REVISION HISTORY.	-	-

REAR VIEW



1016 North Lincoln Avenue, Pittsburgh, PA 15233  
 1.800.366.1904 - 412.322.9900 - Fax: 412.322.9958  
 e-mail: sales@dawar.com - www.dawar.com

THIS CONFIDENTIAL DOCUMENT IS THE PROPERTY OF DAWAR TECHNOLOGIES, INC. AND SHALL NOT BE COPIED, REPRODUCED, DISCLOSED, AND/OR USED AS THE BASIS FOR MANUFACTURING OR SALE WITHOUT PERMISSION OF A DULY AUTHORIZED REPRESENTATIVE OF DAWAR TECHNOLOGIES, INC.

MARKETING NO.  
 GFF\_10.4-00001

DESCRIPTION  
 10.4" GFF PROJECTED CAPACITIVE TOUCHSCREEN W/ COVERLENS

ITEM/DRAWING NO. DW01832-B			DWG REV 1	
UNIT MM [INCH]	TOLERANCE ±0.25 [0.010] UNLESS SPECIFIED	SHEET 2 OF 2	DRAWN BY TONY HOUSOS	DATE 6-28-15