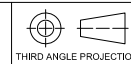


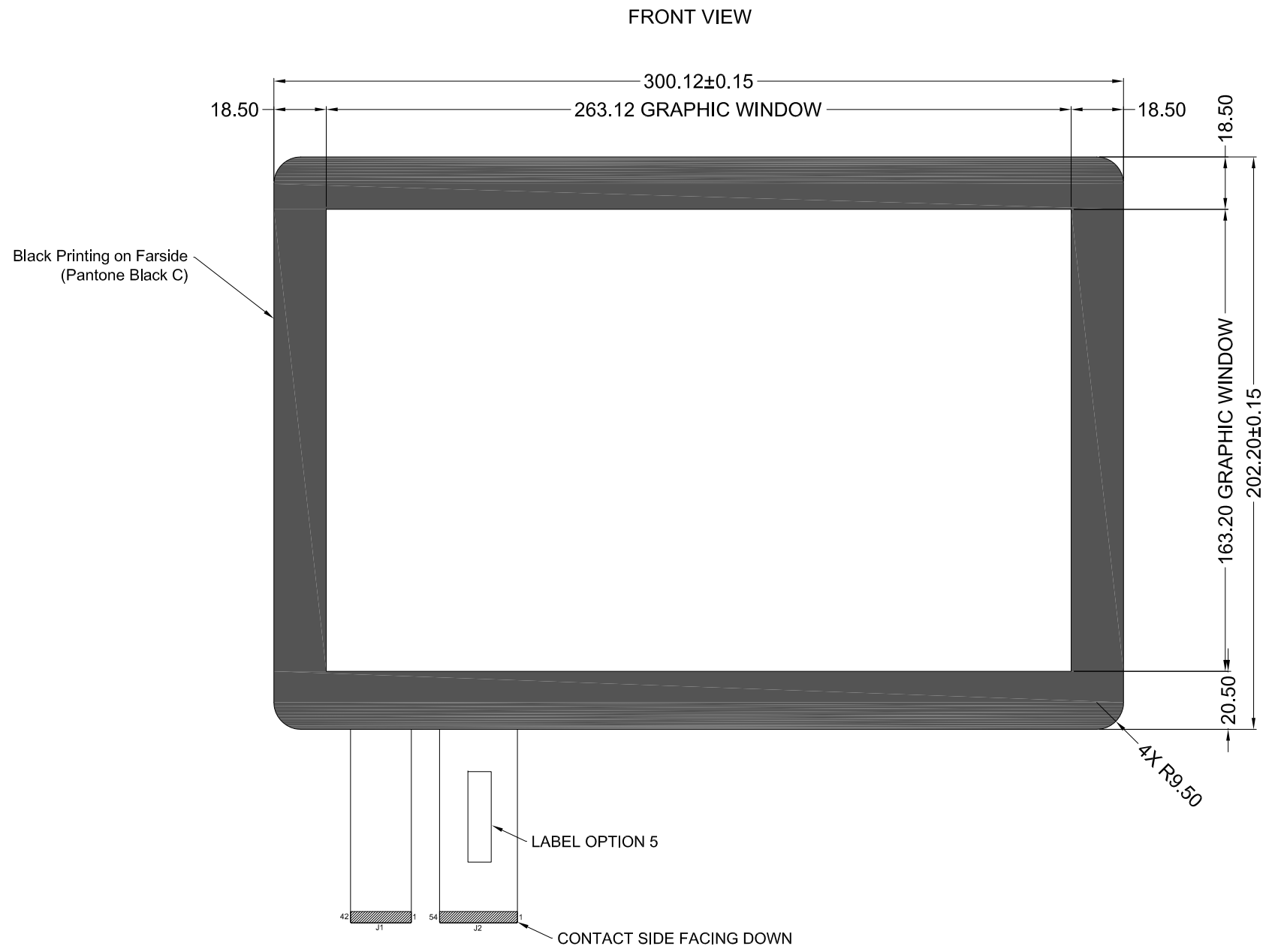
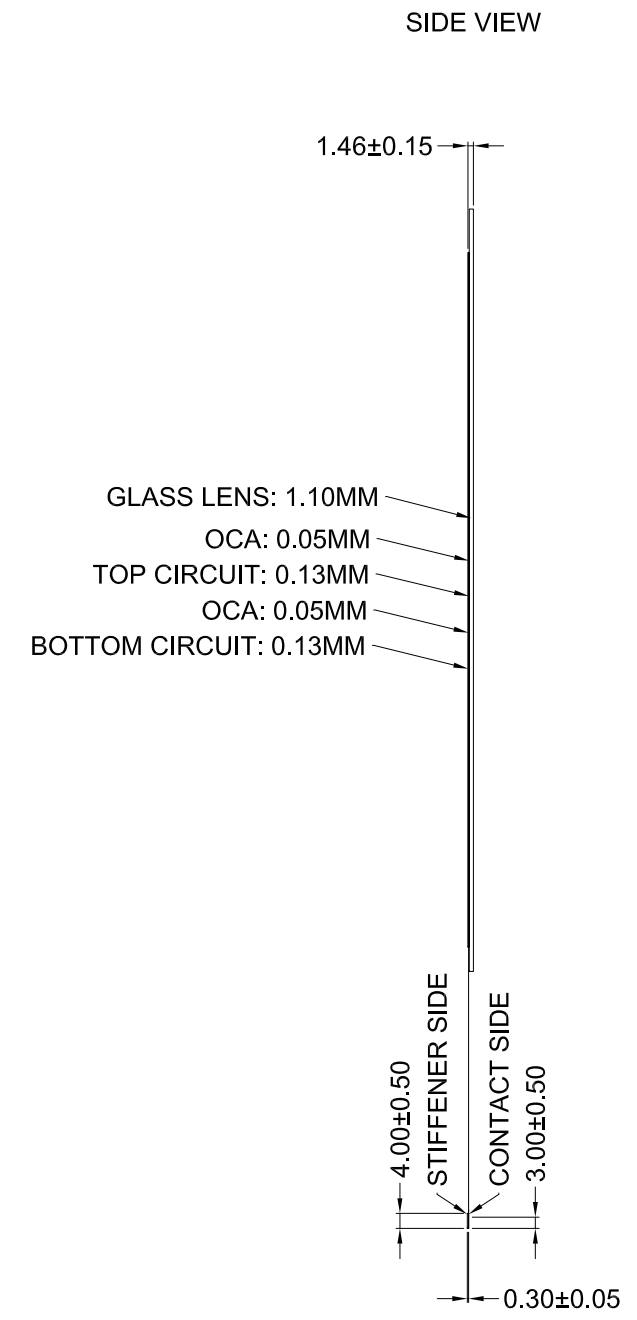
NOTES:
 1. COVER LENS MATERIAL: 1.10MM SODA LIME GLASS.
 2. PENCIL POLISHED EDGES AND RADIUS CORNERS.



				REVISIONS	
ITEM REV	DWG REV	ECO	DESCRIPTION	DWN	DATE
A	1	-	INITIAL RELEASE.	AMH	6-11-15
B	1	0934	MOVED TAILS FOR CONTROLLER CLEARANCE.	AMH	10-14-15

J1	
PIN	FUNCTION
1	GROUND
2	DS0
3	X0
4	X1
5	X2
6	X3
7	X4
8	X5
9	X6
10	X7
11	X8
12	X9
13	X10
14	X11
15	X12
16	X13
17	X14
18	X15
19	X16
20	X17
21	X18
22	X19
23	X20
24	X21
25	NC
26	NC
27	NC
28	NC
29	NC
30	NC
31	NC
32	NC
33	NC
34	NC
35	NC
36	NC
37	NC
38	NC
39	NC
40	NC
41	DS0
42	GROUND

J2	
PIN	FUNCTION
1	GROUND
2	DS0
3	Y0
4	Y1
5	Y2
6	Y3
7	Y4
8	Y5
9	Y6
10	Y7
11	Y8
12	Y9
13	Y10
14	Y11
15	Y12
16	Y13
17	Y14
18	Y15
19	Y16
20	Y17
21	Y18
22	Y19
23	Y20
24	Y21
25	Y22
26	Y23
27	Y24
28	Y25
29	Y26
30	Y27
31	Y28
32	Y29
33	Y30
34	Y31
35	Y32
36	Y33
37	Y34
38	NC
39	NC
40	NC
41	NC
42	NC
43	NC
44	NC
45	NC
46	NC
47	NC
48	NC
49	NC
50	NC
51	NC
52	NC
53	DS0
54	GROUND



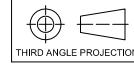
1016 North Lincoln Avenue, Pittsburgh, PA 15233
 1.800.366.1904 - 412.322.9900 - Fax: 412.322.9958
 e-mail: sales@dawar.com - www.dawar.com

THIS CONFIDENTIAL DOCUMENT IS THE PROPERTY OF DAWAR TECHNOLOGIES, INC. AND SHALL NOT BE COPIED, REPRODUCED, DISCLOSED, AND/OR USED AS THE BASIS FOR MANUFACTURING OR SALE WITHOUT PERMISSION OF A DULY AUTHORIZED REPRESENTATIVE OF DAWAR TECHNOLOGIES, INC.

MARKETING NO. GFF_12.1W-00001		ITEM/DRAWING NO. DW01721-B		DWG REV 1	
UNIT MM [INCH]	TOLERANCE ±0.25 [0.010] UNLESS SPECIFIED	SHEET 1 OF 2	DRAWN BY TONY HOUSOS	DATE 4-26-15	
DESCRIPTION 12.1"W GFF PROJECTED CAPACITIVE TOUCHSCREEN W/ COVERLENS					

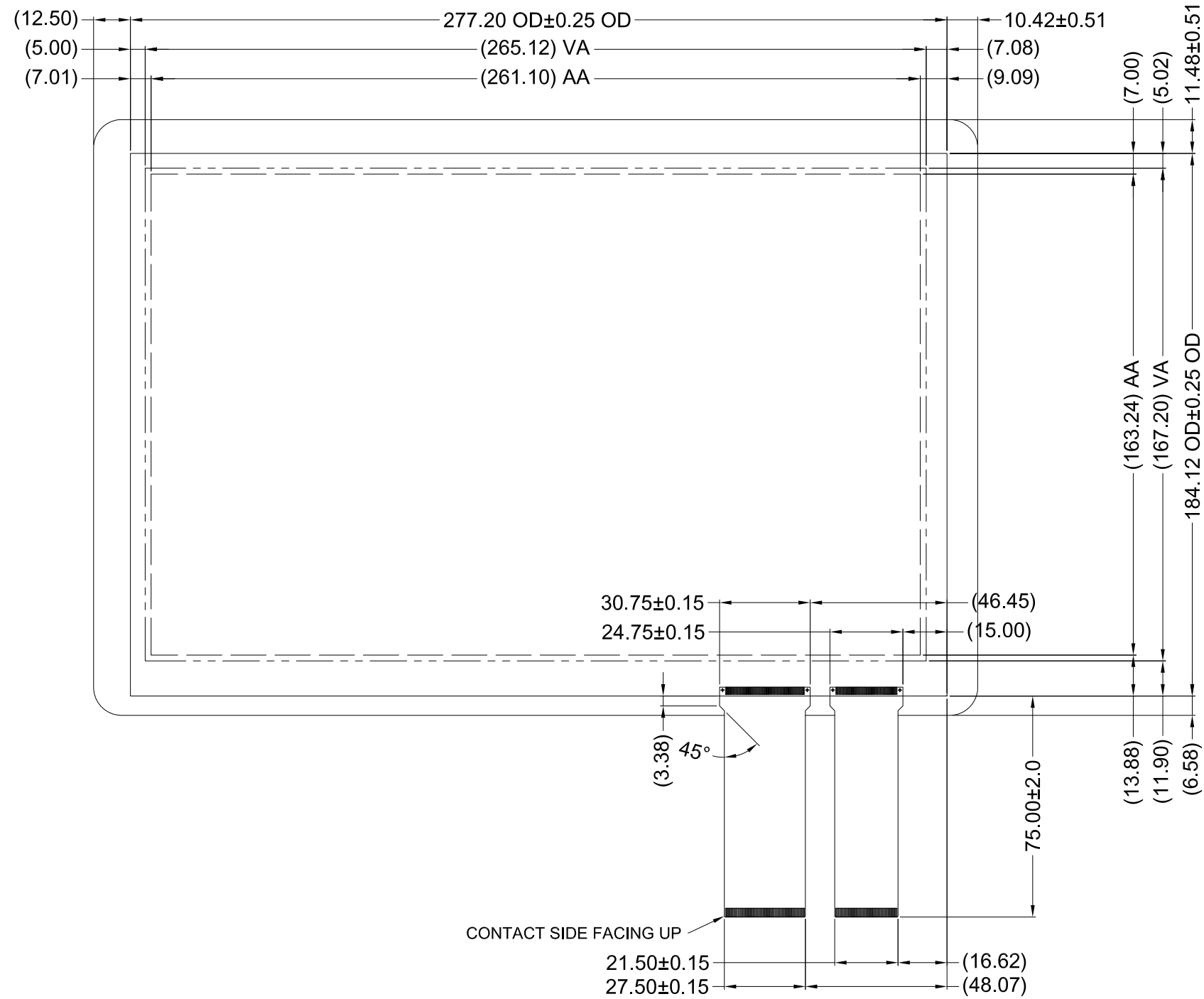
NOTES:

1. TAIL TYPE-FPC GOLD PLATED.
2. PART IS ROHS COMPLIANT.
3. DIMENSIONS IN PARENTHESIS ARE FOR REFERENCE ONLY.
4. SENSOR SPECIFICATION PER QAD 19-1 (CURRENT REVISION).



REVISIONS				DWN	DATE
ITEM REV	DWG REV	ECO	DESCRIPTION		
-	-	-	SEE PAGE 1 FOR REVISION HISTORY.	-	-

REAR VIEW



DawarTouch®

1016 North Lincoln Avenue, Pittsburgh, PA 15233
 1.800.366.1904 - 412.322.9900 - Fax: 412.322.9958
 e-mail: sales@dawar.com - www.dawar.com

THIS CONFIDENTIAL DOCUMENT IS THE PROPERTY OF DAWAR TECHNOLOGIES, INC. AND SHALL NOT BE COPIED, REPRODUCED, DISCLOSED, AND/OR USED AS THE BASIS FOR MANUFACTURING OR SALE WITHOUT PERMISSION OF A DULY AUTHORIZED REPRESENTATIVE OF DAWAR TECHNOLOGIES, INC.

MARKETING NO. GFF_12.1W-00001		ITEM/DRAWING NO. DW01721-B		DWG REV 1	
UNIT MM [INCH]	TOLERANCE ±0.25 [0.010] UNLESS SPECIFIED	SHEET 2 OF 2	DRAWN BY TONY HOUSOS	DATE 4-26-15	
DESCRIPTION 12.1"W GFF PROJECTED CAPACITIVE TOUCHSCREEN W/ COVERLENS					